



ICC-ES Evaluation Report ESR-4019

Reissued January 2023

Revised June 29, 2023

This report is subject to renewal January 2025.

DIVISION: 03 00 00—CONCRETE
Section: 03 15 00—Concrete Accessories

REPORT HOLDER:

SCHÖCK BAUTEILE GMBH

EVALUATION SUBJECT:

SCHÖCK ISOKORB LOAD BEARING THERMAL BREAK ASSEMBLIES

1.0 EVALUATION SCOPE

Compliance with the following codes:

- 2021, 2018 and 2015 *International Building Code*® (IBC)
- 2021, 2018 and 2015 *International Residential Code*® (IRC)

Properties evaluated:

- Structural
- Fire resistance

2.0 USES

Schöck Isokorb Load Bearing Thermal Break Assemblies (LBTBAs) are insulated, load-bearing assemblies used to minimize thermal bridging when connecting external reinforced concrete balconies to internal reinforced concrete floor slabs and walls. Schöck Isokorb LBTBAs are intended to transfer bending moments, shear forces, or a combination of bending moments and shear forces.

3.0 DESCRIPTION

See TABLE 1 for description of the Schöck Isokorb LBTBA nomenclature.

3.1 Schöck Isokorb LBTBA

The Schöck Isokorb LBTBAs consists of an insulating layer of expanded polystyrene (EPS) with thickness of 80 mm (3.15 inches) or 120 mm (4.72 inches) depending on the type of LBTBA. Steel reinforcing bars pass through the EPS insulation and are retained in place by a nonstructural plastic rail. The LBTBAs depends on the internal forces transferred through the expansion joint. The Schöck Isokorb LBTBAs transmit forces to the adjacent reinforced concrete members by bond and surface pressure.

3.2 Isokorb Types

Scköck Isokorb LBTBAs are organized by the type of forces resisted, structural orientation and EPS insulation thickness.

3.2.1 CM, CK and K Types

The CM, CK and K types are used in cantilever reinforced concrete balconies to resist bending moments and shear forces and consist of 80 mm (3.15 inches) or 120 mm (4.72 inches) thick EPS insulation, tension and shear steel reinforcing bars and concrete compression bearing (CCB) modules.

Separate tension and shear steel reinforcing bars are embedded in the concrete, and the CCB module bears against the reinforced concrete elements on either side of the expansion joint. The CM, CK and K types are used for connecting reinforced concrete slabs to reinforced concrete balconies under several conditions including connections between slabs with no step (CM, CK and K), with a step vertically up (CK-OD) to the balcony, or a step vertically down (CK-UD) to the balcony, and connections between reinforced concrete slabs and walls, with a wall above (CK-WA), and a wall below (CK-WU) respectively. See TABLE 1 for depictions of all types and TABLE 19 for dimensions and design parameters.

3.2.2 CQ, CQ-W, CQ-P and Q Types

The CQ, CQ-W, CQ-P and Q types are used to resist shear forces. They consist of steel shear reinforcing bars and concrete compression bearing modules, with EPS insulation thicknesses of 80 mm (3.15 inches) or 120 mm (4.72 inches). The shear reinforcing bars are embedded in the concrete and the concrete compression bearing modules (CCB) bear against the reinforced concrete on either side of the expansion joint. The CQ-P type contains shear steel reinforcing bars and a steel compression bearing (SCB) module in order to resist higher shear forces. See TABLE 1 for depictions of types CQ, CQ-W, CQ-P, and Q, and TABLE 20 and 21 for dimensions and design parameters.

3.2.3 CD and D Types

The CD and D types are used to resist both positive and negative bending moments and shear forces. The CD and D types consist of 80 mm (3.15 inches) or 120 mm (4.72 inches) thick EPS insulation, tension, shear and compression steel reinforcing bars, without concrete

compression bearing (CCB) modules. All steel reinforcing bars are embedded in the concrete. See TABLE 1 for depictions of CD and D types and TABLE 20 for dimensions and design parameters.

3.2.4 K-F Type

The K-F type is used in precast reinforced concrete cantilever balconies to resist bending moments and shear forces. It consists of 80 mm (3.15 inches) or 120 mm (4.72 inches) thick EPS insulation, tension and shear steel reinforcement bars and concrete compression bearing (CCB) modules. The K-F type is provided in two components. The bottom component is precast into the reinforced concrete balcony bottom and consists of a CCB module and shear steel reinforcing bars. The top component consists of tension steel reinforcing bars which are connected to the top reinforcement in the reinforced concrete balcony and floor slab. Concrete poured at the project site completes the K-F type LBTBA balcony connection. See TABLE 1 for a depiction of K-F type and TABLE 19 for dimensions and design parameters.

3.2.5 CA Type

The CA type is used in reinforced concrete parapets to resist both positive and negative bending moments, shear forces and normal forces. It consists of 80 mm (3.15 inches) or 120 mm (4.72 inches) thick EPS insulation, tension, shear and compression steel reinforcing bars. All steel reinforcing bars are embedded in the concrete. See TABLE 1 for a depiction of CA type and TABLE 20 for dimensions and design parameters.

3.2.6 H-NN and H-VV-NN Type

The H Type is used to resist horizontal loads perpendicular (H-NN and H-VV-NN) and parallel (H-VV-NN) to the insulation joint. It consists of 80 mm (3.15 inches) or 120 mm (4.72 inches) thick EPS insulation, tension/compression and horizontal inclined steel reinforcing bars. All steel reinforcing bars are embedded in the concrete. See TABLE 1 for depictions of H types and TABLE 22 for dimensions and design parameters.

3.3 Materials

The Schöck Isokorb LBTBAs consist of the following component materials:

3.3.1 Compression Bearing Modules

3.3.1.1 Concrete Compression Bearing (CCB)

Concrete Compression Bearing (CCB) modules are fiber reinforced ultra-high-performance concrete with a compressive strength as defined in TABLES 9 to 12. The end faces have a specific geometry to facilitate movement between the external reinforced concrete balcony and internal reinforced concrete floor slabs and walls. See FIGURE 2 – FIGURE 3 for depiction and dimensions of the CCB modules.

3.3.1.2 Steel Compression Bearing (SCB)

The Steel Compression Bearing (SCB) modules transmit compression forces via welded steel compression plates. This type of bearing is not used to transmit tensile forces. In the EPS insulation joint that is either 80 mm (3.15 inches) or 120 mm (4.72 inches) thick, and along a length of at least 50 mm (1.97 inches) within the adjacent reinforced concrete members, the SCB consist of stainless steel or stainless steel reinforcing bars. The steel compression plate is connected by welding with the compression reinforcing steel bars on the bearing side of the connected reinforced concrete members. The steel compression plate may be

carbon steel or stainless steel. The SCB conforms with EN 10025-1 and EN 10025-2 or EN 10088-1. Headed bars used with the SCB module comply with ASTM A970. See FIGURE 6 for depiction of the SCB module, TABLE 3 for dimensions and TABLE 13 and 16 for yield strengths and design parameters.

3.3.2 Thermal Insulation Material

Thermal insulation material consists of Expanded Polystyrene (EPS) according to EN 13163, classified as Euro Class E according to EN 13501-1 and conforms with ASTM C578 Type II or VIII.

3.3.3 Steel Reinforcing Bars

Tension and compression steel reinforcing bars consist of a stainless-steel reinforcing bar or a welded reinforcing bar connection, which is a combination of carbon steel reinforcing bars welded on each side of a stainless-steel reinforcing bar. The stainless-steel reinforcing bar is fixed within the EPS insulation joint 80 mm (3.15 inches) or 120 mm (4.72 inches), and along a length of at least 100 mm (3.94 inches) within the adjacent reinforced concrete elements. See TABLE 4 for depictions of tension and compression steel reinforcing bar configurations, and TABLE 5 and TABLE 6 for reinforcing bar diameter combinations and overlap lengths of tension and compression steel reinforcing bars.

Shear steel reinforcing bars and horizontal inclined steel reinforcing bars consist of stainless-steel reinforcing bars or a welded reinforcing bar connection, which is a combination of a carbon steel reinforcing bar welded on each side of a stainless-steel reinforcing bar. The stainless-steel reinforcing bar is fixed within the EPS insulating joint for a minimum length of 100 mm (3.94 inches). See TABLE 7 for depictions of shear steel reinforcing bar configurations, and TABLE 8 for dimensional variations of shear steel reinforcing bars.

3.3.3.1 Stainless Steel Reinforcing Bars

Stainless steel reinforcing bars comply with EN 10088-1 B500B NR / B500 NR or equivalent ASTM A955 with yield strength ≥ 500 N/mm² (72,519 psi) or stainless-steel Grade S355/S460/S690 with yield strength $\geq 355/460/690$ N/mm² (100,076 psi), material no. 1.4571 (S31635) or 1.4362 (S32304) or 1.4462 (S31803) or 1.4482 (S32001). Design values of reinforcing bar yield strengths are given in TABLE 13.

Compression load buckling capacities of compression steel reinforcing bars for use in design of Isokorb CD type connections must comply with TABLE 14.

3.3.3.2 Carbon Steel Reinforcing Bars

Carbon steel reinforcing bars comply with EN 1992-1-1 B500B or equivalent ASTM A615 / A706 with yield strength ≥ 500 N/mm² (72,519 psi). Design values of reinforcing bar yield strengths are given in TABLE 13.

3.3.3.3 Welded Reinforcing Bar Connections

Welded reinforcing bar connections are flash butt-welded using process 21, 24, or 25 according to EN ISO 17660-1, and comply with AWS D1.4/D1.4M Structural Welding Code-Reinforcing Steel and Section 1705.3.1 of the IBC. See TABLE 4 and 7 for steel reinforcement layouts for Schöck Isokorb LBTBAs.

3.3.4 Plastic Casings

Plastic casings are manufactured from polyvinylchloride (PVC) according to EN ISO 1163 (ASTM D1784) and are

used to enclose and protect the EPS insulation and fire protection plates from impact damage. The plastic casing does not contribute to the load bearing capacity of the Isokorb LBTBA. Plastic shape casings of the CCB modules are manufactured from High Density Polyethylene or Polypropylene according to EN ISO 1873 (ASTM D5857).

3.3.5 Concrete

Normal weight concrete must comply with ACI 318 with a minimum compressive strength $f_c = 20 \text{ N/mm}^2$ (2,900 psi).

3.3.6 Fire Protection Plates

Fire protection plates are located on the top and bottom of the Schöck Isokorb LBTBAs, with a minimum thickness of 10 mm (0.39 inches). cement based mill boards or high temperature fiberboards, moisture repellent, weather and UV resistant panels, class A1 as per EN 13501-1 complying with fireblocking requirements of IBC Section 718.2.1.

In addition, fire protection plates made of mineral wool, class A1 as per EN 13501-1 complying with fireblocking requirements of IBC Section 718.2.1, with a minimum density $\rho = 115 \text{ kg/m}^3$. The plates are located on the top and bottom of the Schöck Isokorb LBTBAs, on the top with a minimum thickness of 15 mm (0.59 inches) and on the bottom with a minimum thickness of 18 mm (0.71 inches).

4.0 DESIGN AND INSTALLATION

4.1 Design

Design of reinforced concrete floor slabs and reinforced concrete balconies must comply with ACI 318.

Structural analysis of the Schöck Isokorb LBTBAs must be performed using strut-and-tie models according to TABLE 23–TABLE 25. LRFD design calculations for controlling limit states including bending moment, shear, tension and compression in steel reinforcement, and bearing resistance must be in accordance with TABLE 15 – TABLE 17.

Design calculations for bending deformations and rotation of the Schöck Isokorb LBTBA joints must be calculated in accordance with procedures noted in Section A.8.

Definitions of terms for design calculations and strut-and-tie models:

a_{CCB}	center distance of the CCB
$a_{CCB,cal}$	calculated center distance of the CCB
a_{cd}	Modification coefficient for CCB design
$A_{s,req}$	required steel reinforcement
b	length of the Schöck Isokorb LBTBA
b_{uz}	beam width
c_1	edge distance of the resultant loads
CC	clear cover (see cv)
c_{CCB}	concrete cover of CCB
c_{HO}	lateral nominal cover within the height offset or wall
$c_{nom,o}$	concrete cover of the steel reinforcing bars at the top
$c_{nom,s}$	concrete cover of the tension reinforcing bars
$c_{nom,u}$	concrete cover of the steel reinforcing bars at the bottom
cv	concrete cover of reinforcement of the slabs
D	applied compression force
d_{HB}	diameter of the horizontal reinforcing bar
d_{HO}	diameter of the stirrup
D_{Rd}	design value of transmissible compression force
$D_{Rd,c}$	design value of the load bearing capacity of the concrete edge per bearing pair
$D_{Rd,HTE}$	design value of the load bearing capacity of one HTE pair

$D_{Rd,n}$	design value of the transmissible compression force per bearing pair
$d_{s,1}$	diameter of the tension / compression reinforcing bars
$d_{s,2}$	diameter of the stainless steel part of the tension / compression reinforcing bars
d_{SB}	diameter of the shear reinforcing bar
e	horizontal distance between section I and j
f_c	compressive strength of the concrete
$f_{ck,cube}$	characteristic cube resistance strength
$F_{Rd,u}$	design value of transmissible compression force of the concrete under partial surface load
f_y	yield stress of the reinforcing steel
f_{yd}	design value of yield strength for tension loads
h	element height
l_1	length of stainless steel
l_b	existing bond length
$l_{bd,IK}$	required bond length
M	applied moment
M_{Rd}	design value of transmissible bending moment
n_{CCB}	number of concrete compression bearings per meter
$N_{ki,d}$	design value of compression force for stainless steel
n_{SB}	number of shear bars per meter
n_{SCB}	number of steel compression bearings per meter
$R_{p,0.2}$	0.2% yield strength
t	insulation thickness
V_E	applied shear force
V_{Rd}	design value of transmissible shear force
x	distance from section I to design section j_B
y	distance from design section j_B and section j
Z	applied tensile force
z	inner lever arm
Z_{Rd}	design value of transmissible tensile force
Z_V	applied tensile force inside shear reinforcing bar
$Z_{V,Rd}$	design value of transmissible tensile force inside the shear reinforcing bars
α	angle of the shear reinforcing bars
α_{bd}	reduction factor for the lack of bond length
α_{SB}	angle of shear reinforcing bar
Δl_s	addition for overlap length

4.2 Fire resistance

Schöck Isokorb LBTBAs are classified by fire testing in conformance with EN 13501-2, EN 1363-1, EN 1365-2, EN 1366-4 and ASTM E119 as 2-hour fire resistance rated assemblies when installed with a minimum concrete slab thickness of 160 mm (6.3 inches), and steel reinforcing bar cover requirements in accordance with ACI 318 and Schöck Isokorb LBTBA installation instructions.

4.3 Installation

Schöck Isokorb LBTBAs must be installed in accordance with this evaluation report and the manufacturer's installation instructions.

If there is a conflict, the more restrictive requirements governs. IBC requirements for special inspection of steel reinforcement including Section 1705.1.1, Section 1705.3.1 and Table 1705.3 of the IBC must be followed.

5.0 CONDITIONS OF USE

The Schöck Isokorb LBTBAs described in this evaluation report comply with, or are a suitable alternative to what is specified in, those codes listed in Section 1.0 of this report, subject to the following conditions:

- 5.1 Design of reinforced concrete floor slabs and balconies must comply with ACI 318.
- 5.2 Design and installation of the Schöck Isokorb LBTBAs must be in accordance with this evaluation report and the manufacturer's installation instructions. If there is a conflict, the more restrictive requirements governs.
- 5.3 Project site specific inspections must conform to Section 1705.1.1, Section 1705.3.1 and Table 1705.3 of the IBC and applicable portions of ACI 318 as noted in Table 1705.3 of the IBC, including specific requirements for the Schöck Isokorb LBTBAs.
- 5.4 The Schöck Isokorb LBTBAs may be used in structures assigned to Seismic Design Categories (SDC) A – F, but are not part of seismic force-resisting systems.
- 5.5 Dynamic actions causing fatigue are outside the scope of this evaluation report.
- 5.6 Thermal resistance is outside the scope of this evaluation report.
- 5.7 Impact sound insulation properties are outside the scope of this evaluation report.
- 5.8 Complete construction documents, including plans and calculations verifying compliance with this evaluation report, must be submitted to the code official for each project at the time of permit application. The construction documents and calculations must be prepared and sealed by a registered design professional.

6.0 EVIDENCE SUBMITTED

- 6.1 Data in accordance with ICC-ES Acceptance Criteria for Load Bearing Thermal Break Assemblies Installed Between Concrete Balconies and Concrete Floors (AC464), approved June 2017 (editorially revised February 2023).
- 6.2 Data in accordance with ICC-ES Acceptance Criteria for Foam Plastic Insulation (AC12), approved June 2015 (editorially revised December 2020).

7.0 IDENTIFICATION

- 7.1 The ICC-ES mark of conformity, electronic labeling, or the evaluation report number (ICC-ES ESR-4019) along with the name, registered trademark, or registered logo of the report holder must be included in the product label.
- 7.2 In addition, Schöck Isokorb LBTBA product packaging includes the product name and nomenclature, and the Schöck Isokorb name or identifying mark. The Schöck Isokorb LBTBA shipment pallet also includes a label with the steel reinforcing bar lot numbers used in manufacture of the Schöck Isokorb LBTBAs on the pallet.
- 7.3 The report holder's contact information is the following:

SCHÖCK BAUTEILE GMBH
SCHÖCKSTRASSE 1, 76534
BADEN-BADEN, GERMANY
PHONE: +49 7223 967-0
www.schoeck.com

A.0 APPENDIX – TABLE OF CONTENTS

1.0	EVALUATION SCOPE	1
2.0	USES	1
3.0	DESCRIPTION	1
3.1	Schöck Isokorb LBTBA.....	1
3.2	Isokorb Types.....	1
3.2.1	CM, CK and K Types.....	1
3.2.2	CQ, CQ-W, CQ-P and Q Types.....	1
3.2.3	CD and D Types.....	1
3.2.4	K-F Type.....	2
3.2.5	CA Type.....	2
3.2.6	H-NN and H-VV-NN Type	2
3.3	Materials.....	2
3.3.1	Compression Bearing Modules.....	2
3.3.2	Thermal Insulation Material.....	2
3.3.3	Steel Reinforcing Bars.....	2
3.3.4	Plastic Casings.....	2
3.3.5	Concrete.....	3
3.3.6	Fire Protection Plates.....	3
4.0	Design and installation	3
4.1	Design.....	3
4.2	Fire resistance.....	3
4.3	Installation.....	3
5.0	Conditions of use	4
6.0	EVIDENCE SUBMITTED	4
7.0	IDENTIFICATION	4
A.0	APPENDIX – TABLE of contents	5
A.1	Schöck Isokorb LBTBA Type Overview	7
A.2	Load bearing elements of Schöck Isokorb LBTBA types	11
A.2.1	Concrete Compression Bearing (CCB).....	11
A.2.2	Special stirrup reinforcement.....	11
A.2.3	Steel Compression Bearing (SCB).....	12
A.2.4	Tension and Compression Steel Reinforcing Bars – Variations and Dimensions.....	13
A.2.5	Shear Steel Reinforcing Bars – Variations and Dimensions	16
A.3	Load bearing capacity of the concrete compression bearing (CCB)	17
A.3.1	HTE-Compact®30 and HTE-Compact®20.....	18
A.3.2	HTE30 (optional).....	19
A.4	Load bearing capacity of tension and compression bars	20
A.5	Load bearing capacity of horizontal bars	22

A.6	DIMENSIONS AND DESIGN PARAMETERS OF SCHÖCK ISOKORB LBTBA TYPES	23
A.7	Strut-and-tie models and Calculation Procedure for load resistance factor design (LRFD)	25
A.7.1	Schöck Isokorb LBTBA cantilever connection with concrete compression bearing (CCB)	25
A.7.1.1	Strut-and-tie models	25
A.7.1.2	Dimensions of the strut-and-tie models and position of the design section	26
A.7.1.3	Determination of the inner forces	26
A.7.1.4	Design values of resistance.....	26
A.7.2	Schöck Isokorb LBTBA cantilever connection with compression steel reinforcing bars or steel compression bearings (SCB) 27	
A.7.2.1	Strut-and-tie models	27
A.7.2.2	Dimensions of the strut-and-tie models and position of the design section	27
A.7.2.3	Determination of the inner forces	27
A.7.2.4	Design values of resistance.....	27
A.7.3	Schöck Isokorb LBTBA shear connection.....	27
A.7.3.1	Strut-and-tie models	28
A.7.3.2	Dimensions of the strut-and-tie models and position of the design section	28
A.7.3.3	Determination of the inner forces	28
A.7.3.4	Design values of resistance.....	28
A.7.4	Schöck Isokorb LBTBA parapet connection.....	28
A.7.4.1	Strut-and-tie models	29
A.7.4.2	Dimensions of the strut-and-tie models and position of the design section	29
A.7.4.3	Determination of the inner forces	29
A.7.4.4	Design values of resistance.....	29
A.7.5	Verification	30
A.8	Determination of Schöck Isokorb LBTBA Deformation	30
A.9	On-Site Reinforcement.....	32

A.1 SCHÖCK ISOKORB LBTBA TYPE OVERVIEW

TABLE 1—SCHÖCK ISOKORB LBTBA TYPE OVERVIEW

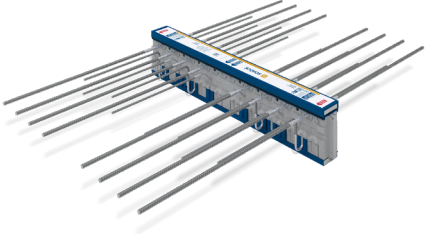
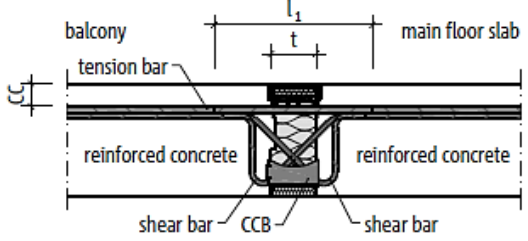
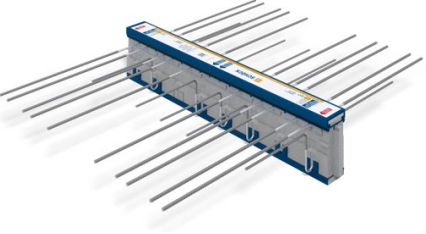
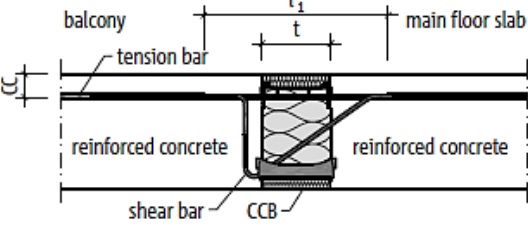
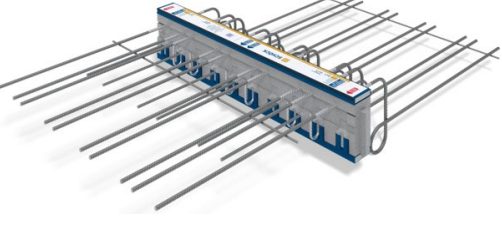
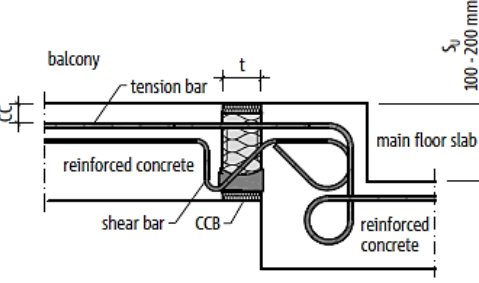

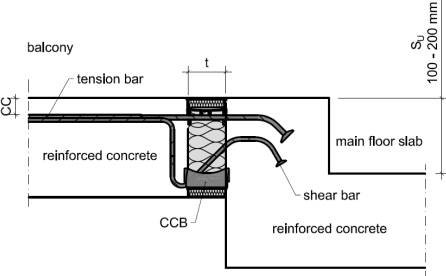
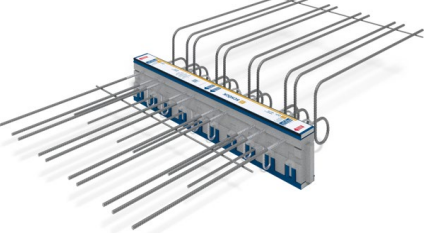
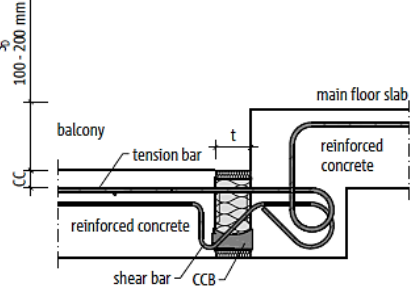
	Example Rendering	Example Section View
<p>CM</p>		
<p>CK, K</p>		
<p>CK-OD</p>		
<p>CK-O, K-O</p>		
<p>CK-UD</p>		

TABLE 1 (CONTINUED)—SCHÖCK ISOKORB LBTBA TYPE OVERVIEW


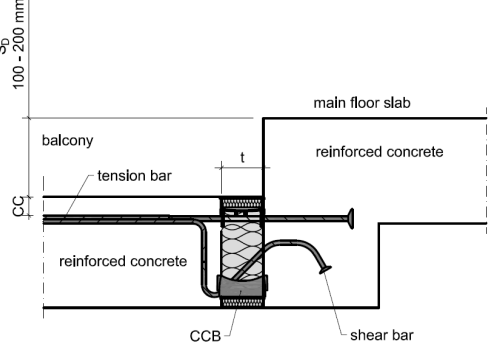
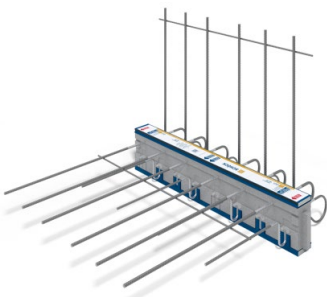
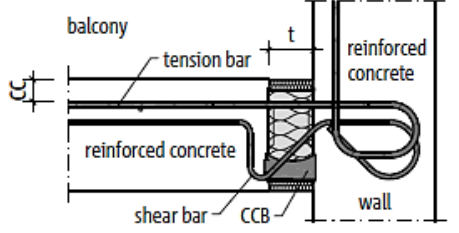
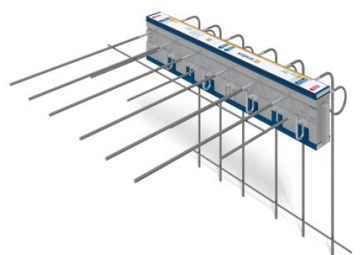
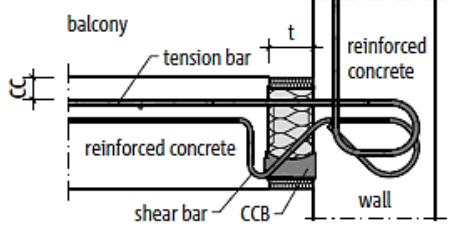
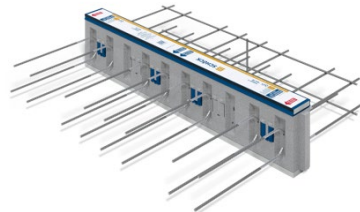
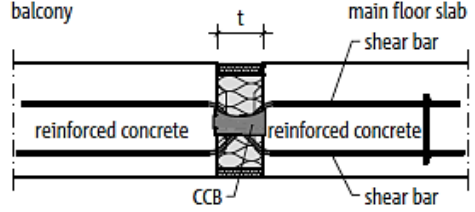
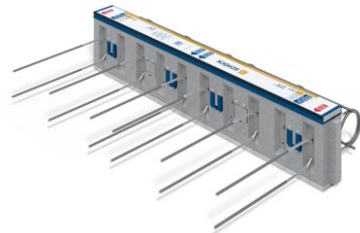
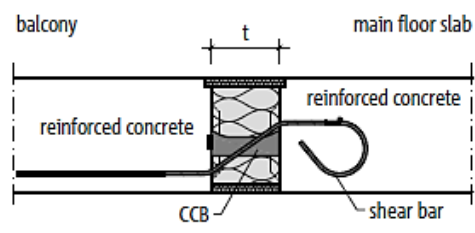
<p>CK-U, K-U</p>		
<p>CK-WA</p>		
<p>CK-WU</p>		
<p>CQ / CQ-W</p>		
<p>Q</p>		

TABLE 1 (CONTINUED)—SCHÖCK ISOKORB LBTBA TYPE OVERVIEW

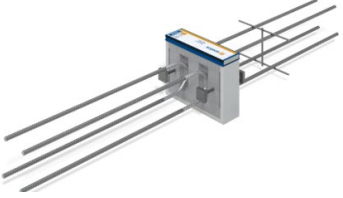
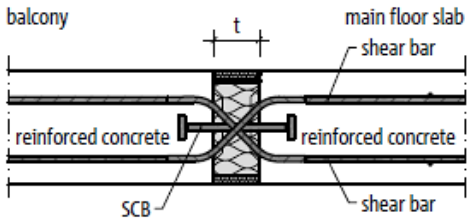
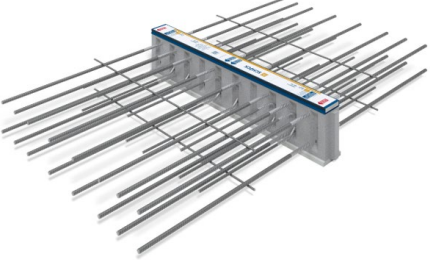
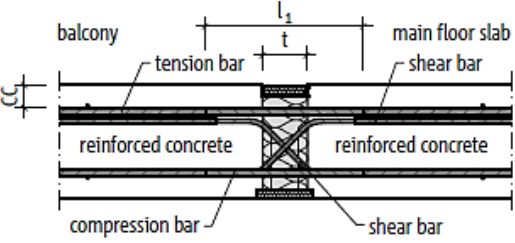
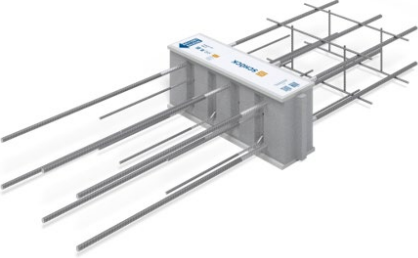
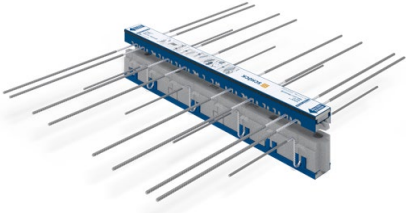
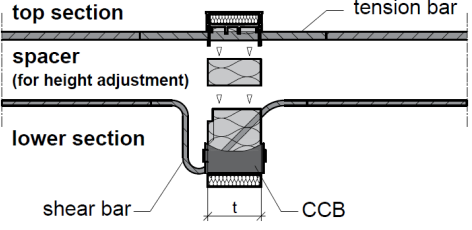

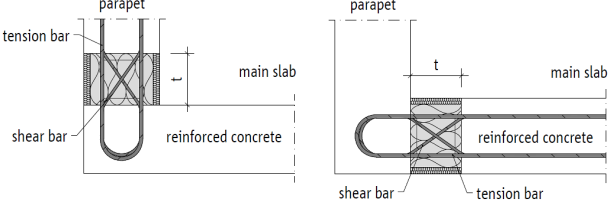
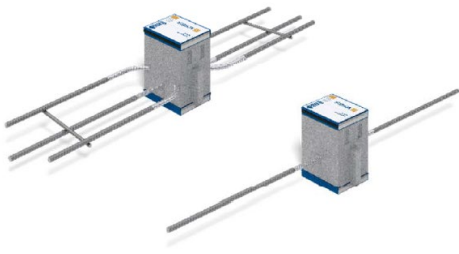
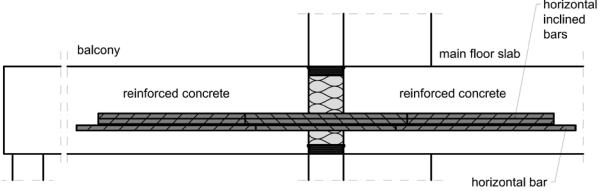
	Example rendering	Example section view
CQ-P		
CD		
D		
K-F		
CA		

TABLE 1 (CONTINUED) – SCHÖCK ISOKORB LBTBA TYPE OVERVIEW

	Example rendering	Example section view
H-VV-NN / H-NN		

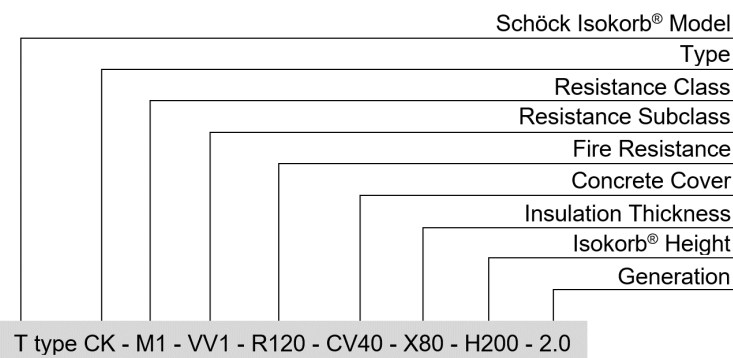


FIGURE 1—EXAMPLE TYPE DESIGNATION FOR SCHÖCK ISOKORB LBTBA CK TYPE

TABLE 2—SCHÖCK ISOKORB LBTBA NOMENCLATURE – SELECTION WITH EXAMPLE PARAMETERS

Product Type		Resistance Class ¹			Fire Rating ²	Concrete Cover (mm)	Insulation Thickness (mm)	Height (mm)
		Moment	Shear Force	Horizontal load				
CM	Moment-Shear	M1	VV1	-	R120	CV40	X80	H200
CK-OD	Moment-Shear	MM1	V1	-	R120	CV40	X80	H200
CK-WA	Moment-Shear	MM1	V3	-	R120	CV40	X80	H200
CQ	Shear	-	VV1	-	R120	CV40	X80	H200
CQ-P	Punctual Shear ³	-	VV2	-	R120	CV40	X80	H250
D	Double Moment-Shear	MM3	VV2	-	R120	CV35	X120	H250
K-F	Moment-Shear Precast	M2	V1	-	R120	CV35	X80	H180
H	Horizontal	-	VV1	NN1	R120	-	X80	H200

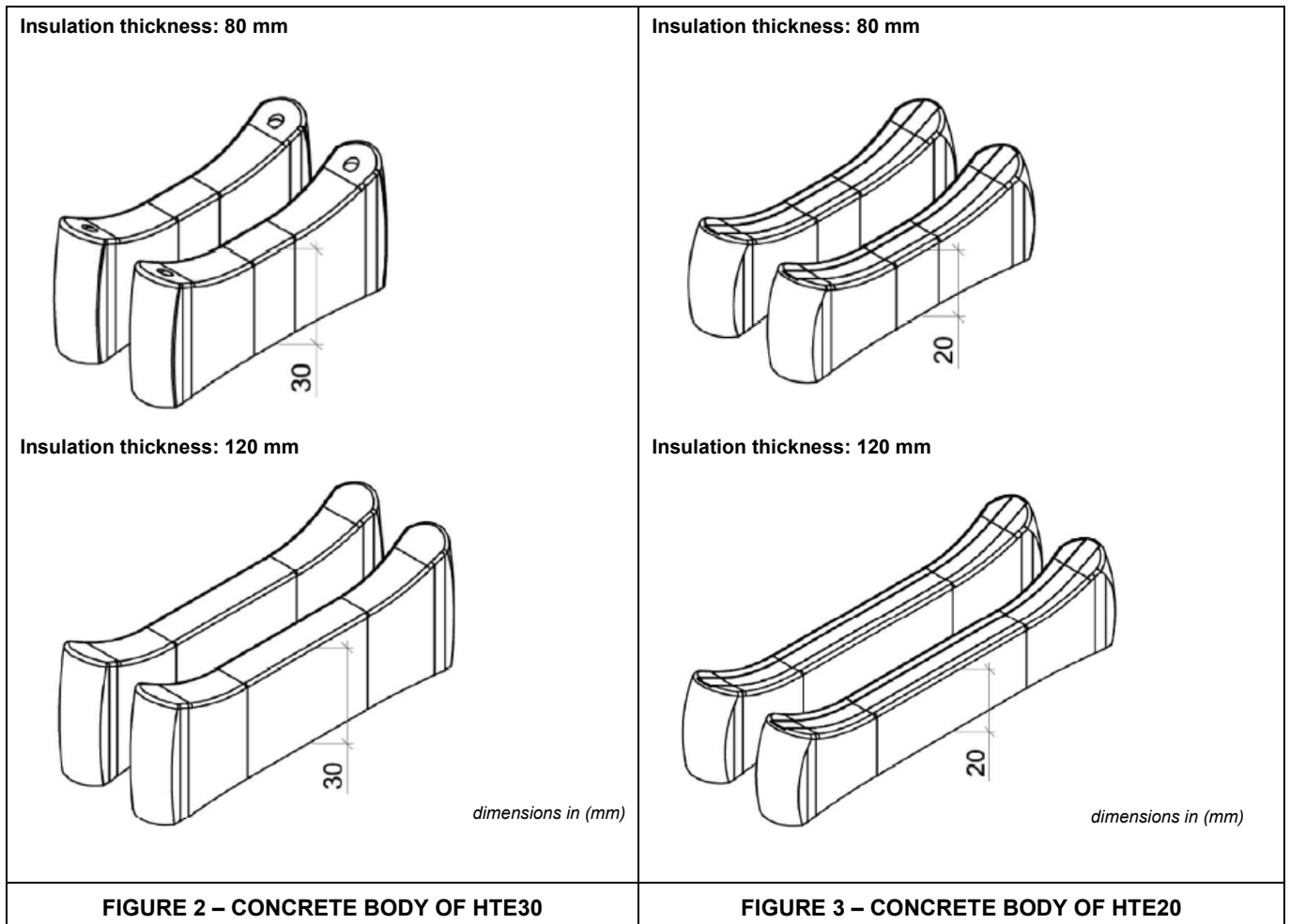
¹ Capacity level refers to the strength classification of the Isokorb LBTBA. The capacity level begins with the abbreviation of the respective internal forces (M, V). If these forces occur in both directions, the letter abbreviations are doubled (MM, VV). The load ratings are numbered, starting with 1 for the smallest rating. Refer to Section 4.3.

² Refer to Section 4.2 for Isokorb LBTBA fire resistance ratings.

³ Punctual Shear refers to the Isokorb LBTBA purpose in resisting a point shear load as in a shear beam.

A.2 LOAD BEARING ELEMENTS OF SCHÖCK ISOKORB LBTBA TYPES

A.2.1 Concrete Compression Bearing (CCB)



A.2.2 Special stirrup reinforcement

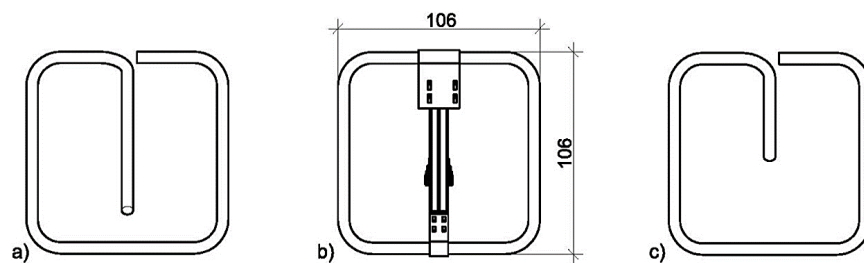


FIGURE 4—STAINLESS STEEL SPECIAL STIRRUP (DIMENSIONS IN MM)

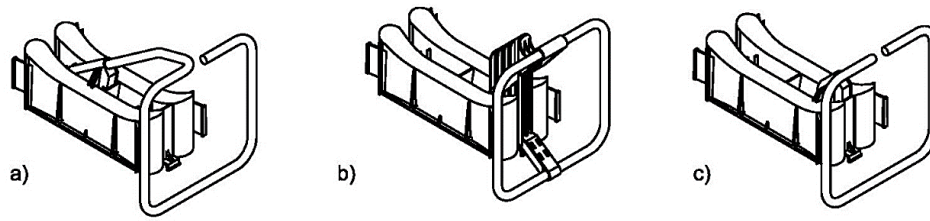


FIGURE 5—CONCRETE COMPRESSION BEARING (CCB) WITH SPECIAL STIRRUP

A.2.3 Steel Compression Bearing (SCB)

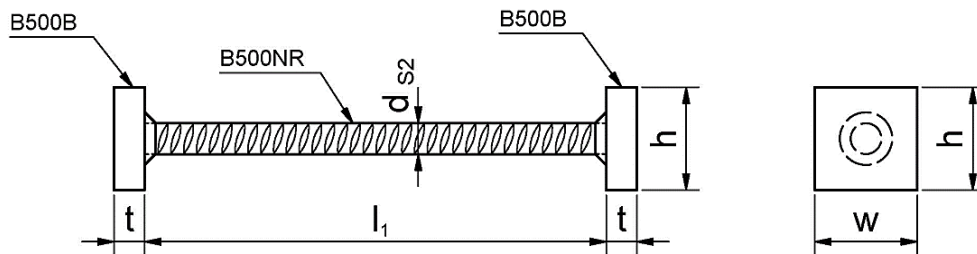


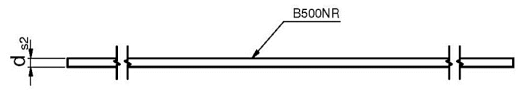
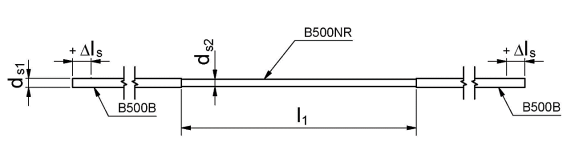
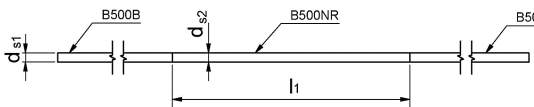
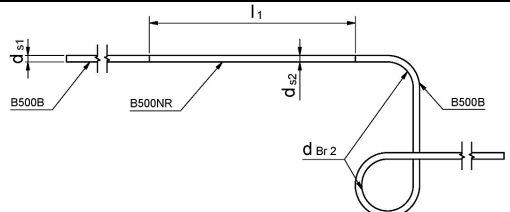
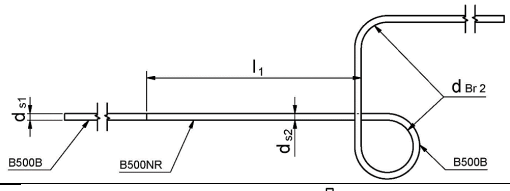
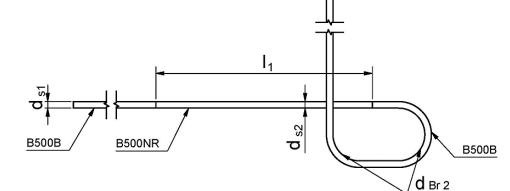
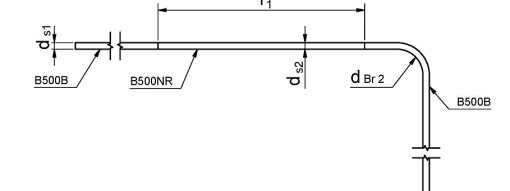
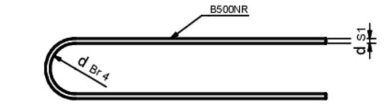
FIGURE 6—STEEL COMPRESSION BEARING (SCB)

TABLE 3—DIMENSIONAL VARIATIONS OF SCHÖCK ISOKORB LBTBA STEEL COMPRESSION BEARING (SCB)

compression steel bar diameter d_{s2} (mm)	length of stainless steel l_1 according to EPS insulation thickness		steel plate size (w x h x t)
	80 mm (3.15 in.)	120 mm (4.72 in.)	
8	180 mm (7.09 in.)	220 mm (8.66 in.)	40 mm x 40 mm x 12 mm (1.57 in. x 1.57 in. x 0.47 in.)
10			
12			
14			60 mm x 40 mm x 15 mm (1.57 in. x 2.36 in. x 0.59 in.)

A.2.4 Tension and Compression Steel Reinforcing Bars – Variations and Dimensions

TABLE 4—TENSION AND COMPRESSION STEEL REINFORCING BARS (SELECTION)

#	Depiction	Material	Description
1		B500 NR ¹	stainless steel reinforcing bar
2		B500 NR ¹ & B500B ¹	welded reinforcing steel connection <i>with diameter change and additions Δl_s for overlap length</i>
3		B500 NR ¹ & B500B ¹	welded reinforcing steel connection
4		B500 NR ¹ & B500B ¹	welded reinforcing steel connection <i>for height offset</i>
5		B500 NR ¹ & B500B ¹	welded reinforcing steel connection <i>for height offset</i>
6		B500 NR ¹ & B500B ¹	welded reinforcing steel connection <i>for wall connection</i>
7		B500 NR ¹ & B500B ¹	welded reinforcing steel connection <i>for wall connection</i>
8		B500 NR ¹	stainless steel reinforcing bar

¹ Alternatively, a continuous stainless steel reinforcing bar may be used in place of welded reinforcing steel bar combinations.

<p>9</p>		<p>B500 NR¹¹ & B500B¹</p>	<p>welded reinforcing steel connection</p> <p><i>for height offset with anchor head. For Bending diameters see TABLE 8</i></p>
-----------------	--	---	--

¹Alternatively, a continuous stainless steel reinforcing bar may be used in place of welded reinforcing steel bar combinations.

TABLE 5—DIAMETER COMBINATIONS AND OVERLAP LENGTH OF TENSION AND COMPRESSION STEEL REINFORCING BARS

Diameter combination $d_{s1} - d_{s2} - d_{s1}$ (mm)	Reinforcing steel d_{s1} (mm in.) ————— $R_{p0.2}$ (N/mm ² ksi)	Stainless steel d_{s2} (mm in.) ————— $R_{p0.2}$ (N/mm ² ksi)	Overlap length Δl_s (mm in.)
8 – 6.5 – 8	8 0.315 ————— 500 72.5	6.5 0.256 ————— 800 116.0	20 0.787
8 – 7 – 8	8 0.315 ————— 500 72.5	7 0.276 ————— 700 101.5	13 0.512
8 – 8 – 8	8 0.315 ————— 500 72.5	8 0.315 ————— 500 72.5	–
10 – 8 – 10	10 0.393 ————— 500 72.5	8 0.315 ————— 700 101.5 820 118.9	20 0.787
10 – 10 – 10	10 0.393 ————— 500 72.5	10 0.393 ————— 500 72.5	–
12 – 9.5 – 12	12 0.472 ————— 500 72.5	9.5 0.374 ————— 820 118.9	20 0.787
12 – 10 – 12	12 0.472 ————— 500 72.5	10 0.393 ————— 700 101.5	17 0.669
12 – 11 – 12	12 0.472 ————— 500 72.5	11 0.433 ————— 700 101.5	9 0.354
12 – 12 – 12	12 0.472 ————— 500 72.5	12 0.472 ————— 500 72.5	–
14 – 12 – 14	14 0.551 ————— 500 72.5	12 0.472 ————— 700 101.5	14 0.551
14 – 14 – 14	14 0.551 ————— 500 72.5	14 0.551 ————— 500 72.5	–

TABLE 6 – DIAMETER COMBINATIONS AND OVERLAP LENGTH OF TENSION STEEL REINFORCING BARS WITH ANCHOR HEAD

Diameter combination $d_{s1} - d_{s3}$	Reinforcing steel d_{s1} (mm in.) ————— $R_{p0.2}$ (N/mm ² ksi)	Stainless steel d_{s3} (mm in.) ————— $R_{p0.2}$ (N/mm ² ksi)	Overlap length Δl_s (mm in.)
12 – 10	12 0.472 ————— 500 72.5	10 0.393 ————— 700 101.5	17 0.669

A.2.5 Shear Steel Reinforcing Bars – Variations and Dimensions

TABLE 7—SHEAR STEEL REINFORCING BARS (SELECTION)

#	Depiction	Material	Description
1		B500 NR ¹	stainless steel reinforcing bar
2		B500 NR ¹ & B500B ¹	Welded reinforcing steel connection
3		B500 NR ¹ & B500B ¹	welded reinforcing steel connection <i>stainless steel reinforcing bar with loop in upper leg, made of reinforcing steel</i>
4		B500 NR ¹ & B500B ¹	welded reinforcing steel connection <i>stainless steel reinforcing bar with straight reinforcing bar on both sides</i>
5		B500 NR ¹ & B500B ¹	welded reinforcing steel connection <i>stainless steel reinforcing bar with straight reinforcing bar on balcony side and reinforcing steel hook on floor slab side</i>
6		B500 NR ¹	stainless steel reinforcing bar
7		B500 NR ¹ & B500B ¹	welded reinforcing steel connection <i>stainless steel reinforcing bar with anchor head with straight reinforcing bar on balcony side</i>

¹ Alternatively, a continuous stainless steel reinforcing bar may be used in place of welded reinforcing steel bar combinations.

8		B500 NR ¹ & B500B ¹	welded reinforcing steel connection
----------	--	---	-------------------------------------

¹Alternatively, a continuous stainless steel reinforcing bar may be used in place of welded reinforcing steel bar combinations.

TABLE 8—Dimensional Variations of Shear Steel Reinforcing Bars

d _{SB} (mm) (B500B, B500 NR)	bending diameter				bending angle ¹
	d _{Br1}	d _{Br2}	d _{Br3}	d _{Br4}	α
6	4 d _s	8 d _s	10 d _s	15 d _s	35° or 45°
8					
10					
12					
14					

¹35° bend angles must be used for 120 mm (4.72 in.) EPS insulation thickness. 45° bend angles must be used for 80 mm (3.15 in.) EPS insulation thickness.

A.3 LOAD BEARING CAPACITY OF THE CONCRETE COMPRESSION BEARING (CCB)

The design value of the transmissible compression force D_{Rd} results from and depends on the variant of the compression bearing:

$$D_{Rd} = n_{CCB} \cdot D_{Rd,n}$$

$$D_{Rd,n} = \min \left\{ \begin{array}{l} D_{Rd,c} \\ D_{Rd,CCB} \end{array} \right.$$

- Where:
- D_{Rd} design value of transmissible compression force in (kN/m)
 - n_{CCB} existing number of bearing pairs (pairs/m)
 - D_{Rd,n} design value of the transmissible compression force per bearing pair in (kN/bearing pair)
 - D_{Rd,c} design value of the load bearing capacity of the concrete edge per bearing pair in (kN)
 - D_{Rd,CCB} design value of the load bearing capacity of one bearing pair (kN/pair)

A.3.1 HTE-Compact®30 and HTE-Compact®20

$$D_{Rd,c} = \frac{1}{1000} \cdot a_{cd} \cdot a_{c,uz} \cdot a_{c,z} \cdot c_1 \cdot \min \left(\frac{a_{CCB,cal}}{2 \cdot c_1 + 44 \text{ mm}} \right) \cdot \sqrt{f_{ck,cube}}$$

- Where:
- a_{cd} see TABLE 11
 - c_1 edge distance of the load resultants in (mm); see TABLE 11
 - $a_{CCB,cal}$ $a_{CCB,cal} \geq a_{CCB,min}$
calculated center distance of the concrete compression bearing (mm) as a specification of Schöck, related to the mode of failure / allocation (regular / irregular)
 - $f_{ck,cube}$ characteristic cube resistance strength in N/mm² ≤ 30 N/mm² (4,351 psi)
 - $a_{c,uz}$ see TABLE 9
 - $a_{c,z}$ see TABLE 10

TABLE 9 – FACTOR $a_{c,uz}$ FOR CONSIDERATION OF THE BEAM WIDTH FOR HEIGHT OFFSETS

Connection situation	Main beam width [mm]	$a_{c,uz}$
For Types CK-UD, CK-U, K-U as shown in TABLE 1	$175 \leq b \leq 240$	$0.0245 \cdot b^{2/3}$
	$B > 240$	0.95
Others	-	1.0

TABLE 10 – FACTOR $a_{c,z}$ TO TAKE INTO ACCOUNT THE INNER LEVER ARM

Compression force D_{Rd} [kN/m]	Connection situation	Internal lever arm z [mm]	$a_{c,z}$
≥ 350	For Types CK-UD, CK-U, K-U as shown in TABLE 1	$80 \leq z \leq 150$	1.0
		$z > 150$	$150/z$
	Others	-	1.0
< 350	general	-	1.0

TABLE 11 – DESIGN VALUES FOR HTE20 AND HTE30

CCB type	HTE20	HTE30	
special stirrups	-	-	yes ¹
a_{cd}	1.70	1.80	2.23
minimum center distance $a_{CCB,min}$	100 mm (3.94 in.)	100 mm (3.94 in.)	80 mm (3.15 in.)
number of CCB per meter (39.37 in.) n_{CCB}	4 – 10	4 – 10	9 – 12
c_1 (mm in.)	33 1.30	38 1.50	38 1.50
$D_{Rd,CCB}$ (kN/CCB kip/CCB)	38.0 8.54	45.0 10.12	45.0 10.12

Note: CCB refers to concrete compression bearing, see Section A.2.1 (FIGURE 2 - FIGURE 3).

¹ Assembly of four stirrups per meter (39.37 in.) according to Section A.2.2 on the bearing side, evenly along the entire length of the Schöck Isokorb LBTBA.

A.3.2 HTE30 (optional)

The following design values for HTE30 are based on an optional calculation model, which allows a maximum amount of 18 HTE30 per meter (Section A.3.1 is limited to a maximum of 12 HTE30).

$D_{Rd,CCB} = 34.4 \text{ kN}$

TABLE 12 – DESIGN VALUES FOR HTE30

minimum center distance CCB	CCB number per meter n_{CCB}/m	minimum concrete compressive strength (N/mm ² psi)	$D_{Rd,c}$ (kN/CCB kip/CCB)
50 mm (1.97 in.)	11 – 18	20 2,900 25 3,625 ≥ 30 4,351	25.5 5.62 31.8 7.15 34.4 7.73
55 mm (2.56 in.)	11 – 16	20 2,900 25 3,625 ≥ 30 4,351	26.6 5.98 33.3 7.49 34.4 7.73
60 mm (2.36 in.)	11 – 14	20 2,900 25 3,625 ≥ 30 4,351	27.8 6.25 34.4 7.73 34.4 7.73
100 mm (3.94 in.)	4 – 10	20 2,900 25 3,625 ≥ 30 4,351	34.4 7.73 34.4 7.73 34.4 7.73

Note: CCB refers to concrete compression bearing, see Section A.2.1 (FIGURE 2- FIGURE 3).

For connection situations with height offset as shown in TABLE 1 the design values as per TABLE 12 shall be determined taking $a_{c,uz}$ and $a_{c,z}$ into account and a maximum of 16 compression bearings shall be used.

Where: $a_{c,uz}$ see TABLE 9
 $a_{c,z}$ see TABLE 10

If the design values exceeds a compression force of 350 kN/m, four stirrups per meter shall be installed evenly on the bearing side in accordance to Section A.2.2 along the length of the connection.

A.4 LOAD BEARING CAPACITY OF TENSION AND COMPRESSION BARS

Verification of the tensile bars and shear force bars (ultimate limit state)

- The resistance values that can be applied for verification are given in TABLE 13 to TABLE 15.
- Load-bearing capacity of the welded joint between reinforcing steel and stainless reinforcing steel or round steel does not need to be performed separately.
- Anchorage lengths have to be taken into account. If anchorage length not sufficient Design values might have to be reduced.

TABLE 13 – DESIGN VALUES OF REINFORCING BAR YIELD STRENGTHS FOR TENSION LOADS

Material	f_{yd}	
	[N/mm ²]	[psi]
B500B NR	435	63,091
S355 round steel	323	46,847
S460 round steel	418	60,625
S690 round steel	627	90,938
B500 NR $R_{p0.2}$ 700	609 (for tension bars)	88,33 (for tension bars)
B500 NR $R_{p0.2}$ 800	661 (for tension bars)	95,87 (for tension bars)
B500 NR $R_{p0.2}$ 820	678 (for tension bars)	98,34 (for tension bars)

TABLE 14 – DESIGN VALUES PER TENSION BAR WITH ANCHOR HEAD (Type K-U, K-O)

A maximum of ten tension bars with anchor head shall be placed per meter.		
Concrete strength	Anchoring of the anchor head	Z_{Rd} [kN kip]
Minimum compressive strength $f'_c = 20$ N/mm ² (2,900 psi)	According to TABLE 4 within the hatched area	47.8 10.75
	According to TABLE 4 outside the hatched area	34.1 7.67
Minimum compressive strength $f'_c = 25$ N/mm ² (3,626 psi)	According to TABLE 4 within the hatched area	43.0 9.67
	According to TABLE 4 outside the hatched area	30.7 6.9

TABLE 15 – DESIGN VALUES PER SHEAR FORCE BAR WITH ANCHOR HEAD (Type K-U, K-O)

A maximum of six shear force bars with a nominal diameter of 8 mm with anchor head shall be arranged per meter.	
Concrete strength	$Z_{V,Rd}$ [kN kip]
Minimum compressive strength $f'_c = 20$ N/mm ² (2,900 psi)	21.8 4.9
Minimum compressive strength $f'_c = 25$ N/mm ² (3,626 psi)	19.6 4.41

Verification of the compression bars (ultimate limit state)

- The resistance values that can be applied for verification are given in TABLE 16.
- With use of the compression bars with welded-on compression plates the introduction of the compressive stresses into the concrete as a partial surface load shall be verified.
- Superimposition of adjacent load distribution surfaces shall be taken into consideration.
- It shall be verified that the occurring tensile forces can be transferred.

TABLE 16 – Design values of the compression forces for stainless steel

Diameter	Insulation thickness	System length	N_{ki,d} B500 NR R_{p0,2} 700	N_{ki,d} S460	N_{ki,d} S690	N_{ki,d} B500B NR
(mm in.)	(mm in.)	(mm in.)	(kN kip)	(kN kip)	(kN kip)	(kN kip)
6 (0.24)	60 2.36	72 2.83	11.0 2.47	-	-	-
	80 3.15	92 3.62	10.7 2.41	-	-	-
	120 4.72	132 5.20	8.2 1.84	-	-	-
8 (0.31)	60 2.36	76 2.99	21.3 4.79	-	-	-
	80 3.15	96 3.78	21.7 4.88	-	-	-
	120 4.72	136 5.35	17.8 4.00	-	-	-
10 (0.39)	60 2.36	80 3.15	35.0 7.87	27.4 6.16	-	-
	80 3.15	100 3.94	36.3 8.16	26.0 5.85	-	-
	120 4.72	140 5.51	31.5 7.08	23.3 5.24	-	-
12 (0.47)	60 2.36	84 3.31	52.1 11.71	40.5 9.10	-	-
	80 3.15	104 4.09	53.6 12.05	38.8 8.72	-	-
	120 4.72	144 5.67	49.5 11.13	35.4 7.96	-	-
14 (0.55)	80 3.15	108 4.25	71.5 16.07	54.1 12.16	70.7 15.89	53.4 12.00
	120 4.72	148 5.83	67.3 15.13	50.1 11.26	64.4 14.48	49.2 11.06
16 (0.63)	80 3.15	112 4.41	-	72.1 16.21	100.7 22.63	-
	120 4.72	152 5.98	-	67.4 15.15	95.4 21.44	-
20 (0.79)	80 3.15	120 4.72	-	115.7 26.01	152.4 34.26	-
	120 4.72	160 6.30	-	110.0 24.73	143.0 32.15	-

A.5 LOAD BEARING CAPACITY OF HORIZONTAL BARS

Verification of the horizontal bars (ultimate limit state)

- The resistance values that can be applied for verification are given in TABLE 17 and TABLE 18.
- Load-bearing capacity of the welded joint between reinforcing steel and stainless reinforcing steel or round steel does not need to be performed separately.
- Anchorage lengths have to be taken into account. If anchorage length not sufficient Design values might have to be reduced.

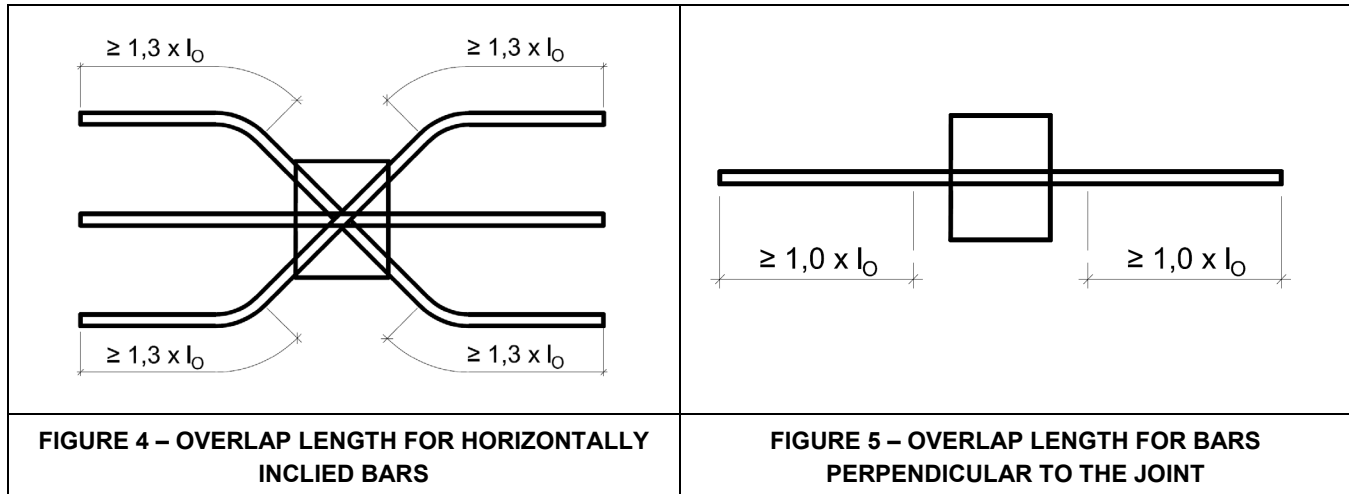


TABLE 17– Design values of the horizontal force parallel to the joint for horizontally inclined pairs of bars

Number of bars	Diameter	Insulation thickness	Inclination of the bars	Vertical Edge spacing according to TABLE 7	1,3 · l _o according to FIGURE 7	H _{,d}	H _{,d}
						for concrete strength f _c = 20 N/mm ² (2,900 psi)	for concrete strength f _c = 25 N/mm ² (3,626 psi)
	(mm in.)	(mm in.)	(°)	(mm in.)	(mm in.)	(kN kip)	(kN kip)
2	10 (0.39)	80 3.15	45	≥ 80 3.15	160 6.3	±10.3 2.32	±12.2 2.74
		120 4.72			136 5.35	±8.8 1.98	±10.4 2.34
2	12 (0.47)	80 3.15			457 17.99	±31.4 7.06	±39.2 8.81
		120 4.72			431 16.97	±31.4 7.06	±39.2 8.81

TABLE 18– Design values of the horizontal force perpendicular to the joint for horizontal straight bars

Diameter	Insulation thickness	1,0 · l _o according to FIGURE 8	H _{⊥,d}	H _{⊥,d}
			for concrete strength f _c = 20 N/mm ² (2,900 psi)	for concrete strength f _c = 25 N/mm ² (3,626 psi)
(mm in.)	(mm in.)	(mm in.)	(kN kip)	(kN kip)
10 (0.39)	80 3.15	155 6.1	±11.2 2.52	±13.3 2.99
	120 4.72	135 5.31	±9.8 2.2	±11.6 2.61
12 (0.47)	80 3.15	500 19.69	±43.5 9.78	±49.2 11.06
	120 4.72	480 18.9	±41.8 9.4	±49.2 11.06

A.6 DIMENSIONS AND DESIGN PARAMETERS OF SCHÖCK ISOKORB LBTBA TYPES

TABLE 19—DIMENSION AND DESIGN PARAMETERS FOR CM, CK, CK-OD, CK-UD, CK-WA, CK-WU, K, AND K-F TYPES WITH CCB

Parameter	Dimensions
Element height h	$160 \text{ mm (6.3 in.)} \leq h \leq 500 \text{ mm (19.7 in.)}$
Number of concrete compression bearings per one meter (39.4 in.) element n_{CCB}	≥ 4
Concrete cover of the concrete compression bearings c_{CCB}	$\geq 20 \text{ mm (0.79 in.)}$
Center distance of the concrete compression bearings to the lateral component edge	$\geq 50 \text{ mm (1.97 in.)}$
Center distance of the concrete compression bearings	$\leq 250 \text{ mm (9.84 in.)}$
Number of tension bars per one meter (39.4 in.) element n_{TB}	≥ 4
Diameter of the tension bars $d_{s,1}$	$\leq 20 \text{ mm (0.79 in.)}$
Concrete cover of tension bars $c_{nom,s}$	$\geq 30 \text{ mm (1.18 in.)}$
Center distance of the tension bars to the lateral component edge	$\geq 50 \text{ mm (1.97 in.)}$
Center distance of the tension bars	$\leq 300 \text{ mm (11.8 in.)}$ on average $\leq 250 \text{ mm (9.84 in.)}$
Number of shear bars per one meter (39.4 in.) element n_{SB}	≥ 4
Diameter of the shear bars d_{SB}	$\leq 10 \text{ mm (0.315 in.)}$
Angle of the shear bars α_{SB} in the insulation layer insulation thickness 80 mm (3.15 in.) insulation thickness 120 mm (4.72 in.)	45° 35°
Center distance of the shear bars to the lateral component edge	$\geq 100 \text{ mm (3.94 in.)}$
Center distance of the shear bars	$\leq 300 \text{ mm (11.8 in.)}$ on average $\leq 250 \text{ mm (9.84 in.)}$

Note: CCB refers to concrete compression bearing, see Section A.2.1 (FIGURE 2 – FIGURE 3).

TABLE 20 – DIMENSION AND DESIGN PARAMETERS FOR CD, D, CQ-P AND CA TYPES WITH SCB OR STEEL COMPRESSION BARS

Parameter	Dimensions		
	Type CD / D	Type CQ-P	Type CA
Element height h	$160 \text{ mm (6.3 in.)} \leq h \leq 500 \text{ mm (19.7 in.)}$		
Width	1000 or 500 mm (39.37 or 19.69 in.)	300 mm (11.81 in.)	250 mm (9.84 in.)
Number of tension and compression bars (type CD, D, CA) per one meter (39.4 in.) / Number of SCB per element (type CQ-P)	≥ 4	≥ 2	≥ 2
Diameter of the tension and compression bars $d_{s,1}$	$\leq 20 \text{ mm (} \leq 0.79 \text{ in.)}$		
Concrete cover of tension and compression bars $c_{nom,o}$ ($c_{nom,u}$)	$\geq 30 \text{ mm (} \geq 1.18 \text{ in.)}$		
Center distance of the tension and compression bars to the lateral component edge	$\geq 50 \text{ mm (} \geq 1.97 \text{ in.)}$		
Center distance of the tension and compression bars	$\leq 300 \text{ mm (11.8 in.)}$		
Number of shear bars per one meter (39.4 in.) or element (see type CQ-P) n_{SB}	≥ 4	≥ 2	≥ 1
Diameter of the shear bars d_{SB}	$\leq 14 \text{ mm (0.55 in.)}$		
Bending diameter of shear bars	$\geq 10 d_{SB}$		
Center distance of the shear bars to the lateral component edge	$\geq 100 \text{ mm}$		
Center distance of the shear bars	$\leq 300 \text{ mm (11.8 in.)}$ on average $\leq 250 \text{ mm (9.84 in.)}$		
Angle of the shear bars α_{SB} in the insulation layer: insulation thickness 80 mm (3.15 in.) insulation thickness 120 mm (4.72 in.)	45° 35°		35° 35°
Vertical offset between the shear bars and longitudinal reinforcement	$s_{SB} \leq 100 \text{ mm (3.94 in.)}$		

Note: SCB refers to steel compression bearing, see Section A.2.3 (FIGURE 6).

TABLE 21—DIMENSION AND DESIGN PARAMETERS FOR CQ, CQ-W AND Q TYPES WITH CCB

Parameter	Dimensions
Element height h	160 mm (6.3 in.) ≤ h ≤ 500 mm (19.69 in.)
Number of concrete compression bearings per one meter (39.4 in.) element n _{CB}	≥ 4
Concrete cover of the concrete compression bearings c _{CCB}	≥ 70 mm (2.76 in.)
Center distance of the concrete compression bearings to the lateral component edge	≥ 50 mm (3.15 in.)
Center distance of the concrete compression bearings	≥ 50 mm (1.97 in.)
Number of shear bars per one meter (39.4 in.) element n _{SB}	≥ 4
Diameter of the shear bars d _{SB}	≤ 14 mm (0.55 in.)
Bending diameter of shear bars	≥ 10 d _{SB}
Center distance of the shear bars to the lateral component edge	≥ 100 mm (3.94 in.)
Center distance of the shear bars	≤ 300 mm (11.8 in.) on average ≤ 250 mm (9.84 in.)
Angle of the shear bars α _{SB} in the insulation layer: insulation thickness 80 mm (3.15 in.) insulation thickness 120 mm (4.72 in.)	45° 35°
Vertical offset between the shear bars and longitudinal reinforcement	s _{SB} ≤ 100 mm (3.94 in.)

Note: CCB refers to concrete compression bearing, see Section A.2.1 (FIGURE 2- FIGURE 3).

TABLE 22 – DIMENSION AND DESIGN PARAMETERS FOR HH-VV-NN AND HH-VV TYPES

Parameter	Type HH-VV-NN	Type HH-NN
Element height h	160 mm (6.3 in.) ≤ h ≤ 500 mm (19.7 in.)	
Width	100 mm (3.94 in.)	
Number of horizontally inclined bars	2	0
Diameter of horizontally inclined bars	≤ 12 mm (≤ 0.47 in.)	-
Bending diameter of horizontally inclined bars	≥ 10 d _{SB}	
Angle of the horizontally inclined bars α _{SB} in the insulation layer	45°	
Number of bars perpendicular to the insulation joint	1	
Diameter of bars perpendicular to the insulation joint	≤ 12 mm (≤ 0.47 in.)	

A.7 STRUT-AND-TIE MODELS AND CALCULATION PROCEDURE FOR LOAD RESISTANCE FACTOR DESIGN (LRFD)

A.7.1 Schöck Isokorb LBTBA cantilever connection with concrete compression bearing (CCB)

A.7.1.1 Strut-and-tie models

TABLE 23—STRUT-AND-TIE MODELS

Positive shear force (indirect support)	Height offset (step down)	Wall connection (wall above)
Negative shear force (indirect support)	Height offset (step up)	Wall connection (wall below)

A.7.1.2 Dimensions of the strut-and-tie models and position of the design section

The design section is set in section j_B of the shown strut-and-tie models in Section A.6.1.1. The main dimensions of the strut-and-tie models are given below.

The vertical inner lever arm z is the center distance of the tension bar and the resulting force of the compression element:

$$z = h - c_1 - c_v - d_{s2}/2$$

The horizontal distance e between section i and j :

$$e = \frac{z}{\tan \alpha} = x + y$$

with:	h ... element height	x ... distance from section i to design section j_B
	c_1 ... edge distance of the resulting compression force inside the compression element; see A.3	y ... distance from design section j_B to section j
	c_v ... concrete cover of reinforcement of the slabs	t ... insulation thickness
	d_{s2} ... diameter of the tension reinforcing bar	y_{HO} ... horizontal distance y_{HO} between section j_B and member axis of stirrup $y_{HO} = t - x + c_{HV} + d_{HV}/2$
	α ... angle of the shear bars	c_{HO} ... lateral nominal cover within the height offset or wall
		d_{HO} ... diameter of the stirrup

A.7.1.3 Determination of the inner forces

According to the strut-and-tie models from Section A.6.1.1 the inner forces are given below.

a) applied moment in section i and j :	b) applied tensile force in the tension bars:	c) applied compression force in the compression chord:	d) applied tensile force in the shear bars:
$M_i = M_j - V_E \cdot e$	$Z = \frac{M_i}{z}$ or $Z = \frac{M_j}{z} - \frac{V_E}{\tan \alpha}$	$D = \frac{M_j}{z}$ or $D = \frac{M_i}{z} + \frac{V_E}{\tan \alpha}$	$Z_V = \frac{V_E}{\sin \alpha}$
$M_j = M_i + V_E \cdot e$			

with: V_E ... applied shear force

A.7.1.4 Design values of resistance

a) design value of transmissible bending moment M_{Rd} :	b) design value of transmissible shear force V_{Rd} :
---	--

$$M_{Rd,j_B} = \min \begin{cases} M_{Rd,j_B}(Z_{Rd}) \\ M_{Rd,j_B}(D_{Rd}) \end{cases} \quad V_{Rd} = Z_{V,Rd} \cdot \sin \alpha$$

$$M_{Rd,j_B}(Z_{Rd}) = Z_{Rd} \cdot z + V_E \cdot x$$

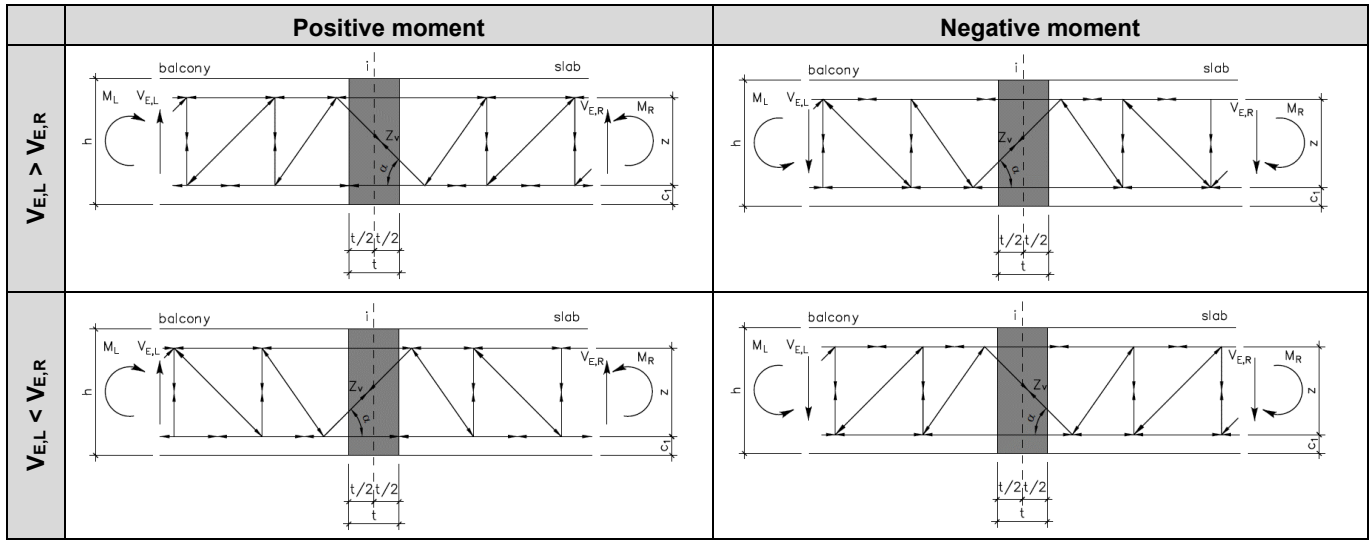
$$M_{Rd,j_B}(D_{Rd}) = D_{Rd} \cdot z - V_E \cdot y$$

with:	Z_{Rd} ... design value of transmissible tensile force of the horizontal bars
	D_{Rd} ... design value of transmissible compression force of the horizontal bars (see TABLE 11)
	$Z_{V,Rd}$... design value of transmissible tensile force in the shear bars $Z_{V,Rd} = n_{SB} \cdot A_s \cdot f_{yd} \cdot \alpha_7$
	α_{bd} ... reduction factor for the lack of bond length $\alpha_{bd} = l_{bd,prov}/l_{bd,rqd}$
	$l_{bd,prov}$... existing bond length according to Schöck specification
	$l_{bd,rqd}$... required bond length

A.7.2 Schöck Isokorb LBTBA cantilever connection with compression steel reinforcing bars or steel compression bearings (SCB)

A.7.2.1 Strut-and-tie models

TABLE 24 —STRUT-AND-TIE MODELS



A.7.2.2 Dimensions of the strut-and-tie models and position of the design section

The design section is set in section i of the shown strut-and-tie models in Section A.7.2.1. The main dimensions of the strut-and-tie models are given below.

The vertical inner lever arm z is the center distance of the tension bar and the compression bar:

$$z = h - c_{nom,o} - c_{nom,u} - d_{HB}$$

- | | | | | | | |
|-------|--------------------|-----|------------------------|-----------------|-----|--|
| with: | h | ... | element height | d _{HB} | ... | diameter of the horizontal bars (reinforcing steel bars) |
| | c _{nom,o} | ... | nominal cover (top) | α | ... | angle of the shear bars |
| | c _{nom,u} | ... | nominal cover (bottom) | | | |

A.7.2.3 Determination of the inner forces

According to the strut-and-tie models from Section A.7.2.1, the inner forces are given below.

- | | | |
|---|--|---|
| a) applied tensile force in the tension bars: | b) applied compression force in the compression chord: | c) applied tensile force in the shear bars: |
|---|--|---|

$$Z = \frac{M_i}{z} - \frac{1}{2} \cdot \frac{V_E}{\tan \alpha}$$

$$D = \frac{M_i}{z} + \frac{1}{2} \cdot \frac{V_E}{\tan \alpha}$$

$$Z_V = \frac{V_E}{\sin \alpha}$$

with: V_E ... applied shear force

A.7.2.4 Design values of resistance

- | | |
|---|--|
| a) design value of transmissible bending moment M _{Rd} : | b) design value of transmissible shear force V _{Rd} : |
|---|--|

$$m_{Rd} = \min \left\{ \left(Z_{Rd} + \frac{1}{2} \cdot \frac{V_{Rd}}{\tan \alpha} \right) \cdot z, \left(D_{Rd} - \frac{1}{2} \cdot \frac{V_{Rd}}{\tan \alpha} \right) \cdot z \right\}$$

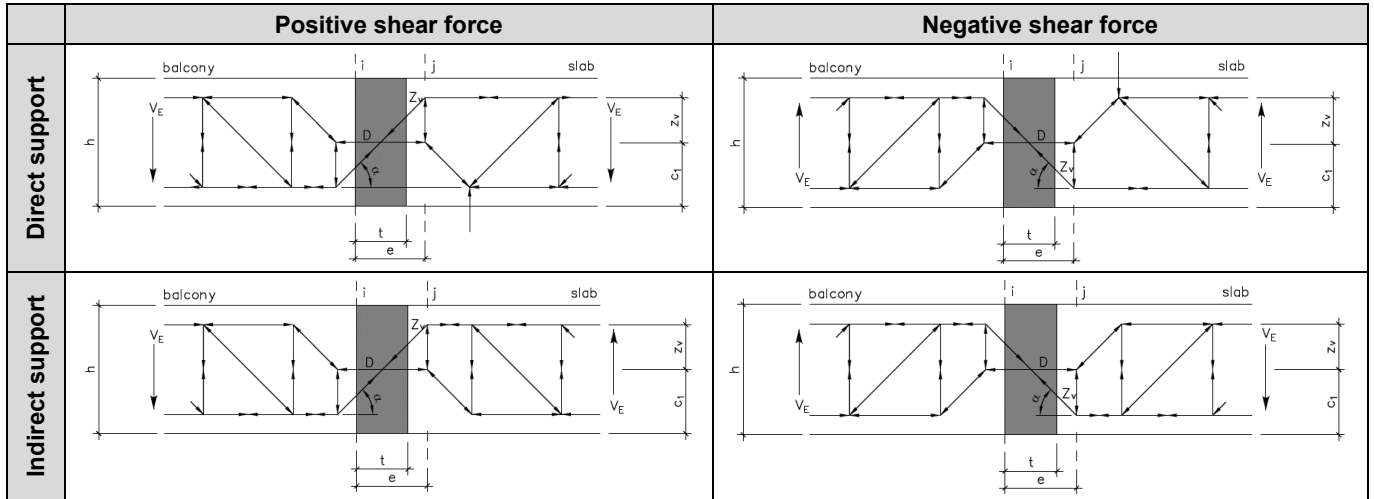
$$V_{Rd} = Z_{V,Rd} \cdot \sin \alpha$$

- | | | | |
|-------|-------------------|-----|---|
| with: | Z _{Rd} | ... | design value of transmissible tensile force in the the horizontal bars |
| | D _{Rd} | ... | design value of transmissible compression force in the horizontal bars (see TABLE 16) |
| | Z _{V,Rd} | ... | design value of transmissible tensile force in the shear bars |

A.7.3 Schöck Isokorb LBTBA shear connection

A.7.3.1 Strut-and-tie models

TABLE 25—STRUT-AND-TIE MODELS



A.7.3.2 Dimensions of the strut-and-tie models and position of the design section

The design section is set in section j of the shown strut-and-tie models in Section A.7.3.1. The main dimensions of the strut-and-tie models are given below.

The vertical inner lever arm z_v is the center distance of the shear bar and the resulting force of the compression element:

$$z_v = h_{SB} - (c_1 - c_{nom,u}) - d_{SB}/2$$

The horizontal distance e between section i and j:

$$e = \frac{z_v}{\tan \alpha} + \frac{t}{2}$$

- | | | |
|-------|---|--|
| with: | <p>h_{SB} ... height of the shear bar</p> <p>c_1 ... edge distance of the resulting compression force inside the compression module</p> <p>$c_{nom,u}$... nominal cover (underside)</p> | <p>d_{SB} ... shear bar diameter</p> <p>α ... angle of the shear bar</p> <p>t ... insulation thickness</p> |
|-------|---|--|

A.7.3.3 Determination of the inner forces

According to the strut-and-tie models from Section A.7.3.1 the inner forces are given below:

- a) Applied compression force in the compression chord: b) applied tensile force in the shear bars:

$$D = \frac{V_E}{\tan \alpha} \qquad Z_V = \frac{V_E}{\sin \alpha}$$

with: V_E ... applied shear force

A.7.3.4 Design values of resistance

The design value of transmissible compression force of concrete compression bearing CCB can be found in Section A.3. For steel compression bearing SCB see TABLE 16.

- a) design value of transmissible shear force V_{Rd} : b) applied value of transmissible compression force D_{Rd} :

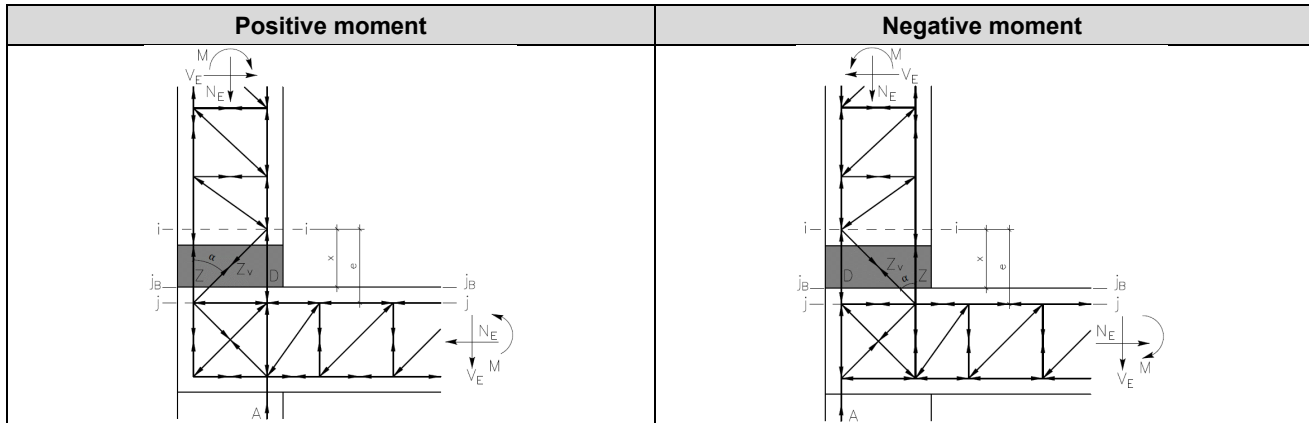
$$V_{Rd} = \min \left\{ \begin{array}{l} Z_{V,Rd} \cdot \sin \alpha \\ D_{Rd} \cdot \tan \alpha \end{array} \right. \qquad D_{Rd} = n_{CCB} \cdot D_{Rd,n} \text{ (CCB)} \quad \text{or} \quad D_{Rd} = \min \left\{ \begin{array}{l} n_{SCB} \cdot F_{Rd,u} \\ n_{SCB} \cdot D_{Rd,SCB} \end{array} \right. \text{ (SCB)}$$

with: $Z_{V,Rd}$... design value of transmissible tensile force in the shear bars
 $F_{Rd,u}$... design value of transmissible compression force of the concrete under partial surface load

A.7.4 Schöck Isokorb LBTBA parapet connection

A.7.4.1 Strut-and-tie models

TABLE 26—STRUT-AND-TIE MODELS



A.7.4.2 Dimensions of the strut-and-tie models and position of the design section

The design section is set in section j_B of the shown strut-and-tie models in Section A.7.4.1. The main dimensions of the strut-and-tie models are given below.

The horizontal inner lever arm z is the center distance of the tension bar and the compression bar:

$$z = h - 2 \cdot cv - d_s$$

The vertical distance e between section i and j :

$$e = \frac{z_h}{\tan \alpha} = 2 \cdot x - t$$

<p>with: h ... element height</p> <p>cv ... concrete cover</p> <p>d_s ... diameter of the tension / compression bars</p>	<p>α ... angle of the shear bars</p> <p>x ... distance from section i to design section j_B</p> <p>t ... insulation thickness</p>
---	---

A.7.4.3 Determination of the inner forces

According to the strut-and-tie models from A.7.4.1. the inner forces are given below.

<p>a) applied tensile force in the tension bars:</p> $Z = \frac{M_i}{z} - \frac{N_E}{2}$ $Z = \frac{M_j}{z} - \frac{N_E}{2} - \frac{V_E}{\tan \alpha}$	<p>b) applied compression force in the compression chord:</p> $D = \frac{M_i}{z} + \frac{N_E}{2} + \frac{V_E}{\tan \alpha}$ $D = \frac{M_j}{z} + \frac{N_E}{2}$	<p>c) applied tensile force in the shear bars:</p> $Z_v = \frac{V_E}{\sin \alpha}$	<p>d) applied moment in section i, j and j_B</p> $M_i = M_j - V_E \cdot e$ $M_j = M_i + V_E \cdot e$ $M_{j_B} = M_i + V_E \cdot x$
---	--	---	--

<p>with: V_E ... applied shear force</p> <p>N_E ... applied normal force</p>
--

A.7.4.4 Design values of resistance

<p>a) design value of transmissible bending moment M_{Rd}:</p> $M_{Rd,jB} = \pm \min \left\{ \begin{array}{l} \left(Z_{Rd} + \frac{N_{Ed}}{2} \right) \cdot z + V_{Ed} \cdot x \\ \left(D_{Rd} - \frac{N_{Ed}}{2} - \frac{ V_{Ed} }{\tan \alpha} \right) \cdot z + V_{Ed} \cdot x \end{array} \right.$	<p>b) design value of transmissible shear force V_{Rd}:</p> $V_{Rd} = Z_{v,Rd} \cdot \sin \alpha$
--	---

<p>with: Z_{Rd} ... design value of transmissible tensile force in the the horizontal bars</p> <p>D_{Rd} ... design value of transmissible compression force in the horizontal bars</p> <p>$Z_{v,Rd}$... design value of transmissible tensile force in the shear bars</p>
--

A.7.5 Verification

a) Verification of shear load:

$$|V_E| \leq V_{Rd}$$

b) Verification of moment load:

$$M \leq M_{Rd}$$

c) Verification of required tension bar reinforcement:

$$A_{s,req} = \frac{F_s}{f_{yd}} \quad \text{where:} \quad f_{yd} = f_y / 1.15$$

A.8 DETERMINATION OF SCHOCK ISOKORB LBTBA DEFORMATION

In the calculation of the vertical deformations, the following influencing factors shall be taken into account:

- Elastic deformations of the LBTBA insulation element and of the adjacent concrete member
- Thermal expansion

Verification of the deflections:

- Quasi-continuous combination in accordance with the following models and calculations
- Model for determining the bending deformation in the joint in accordance with TABLE 27 and TABLE 28.
- Calculation of the elastic deformations of the tension bars depending on the yield strength that can be applied (see TABLE 13)

TABLE 5 – DEFORMATION ANALYSIS FOR CANTILEVER CONNECTION WITH CONCRETE COMPRESSION BEARINGS

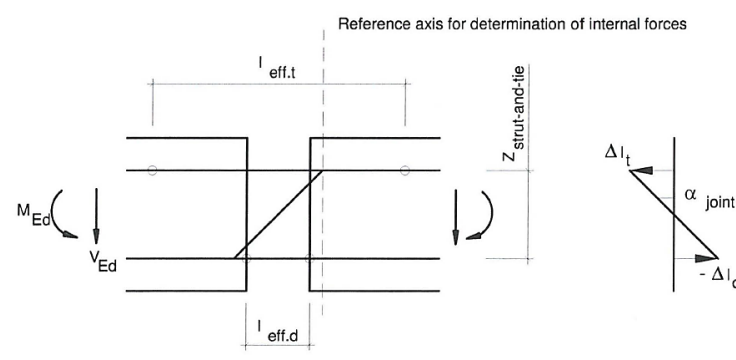
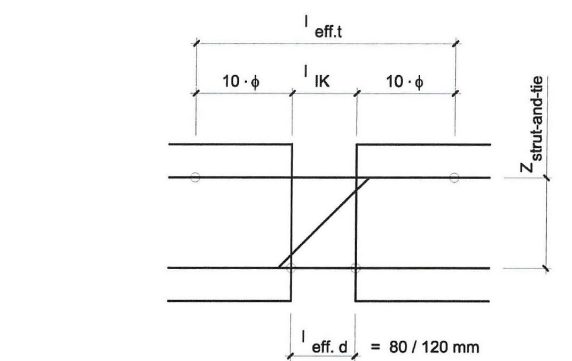
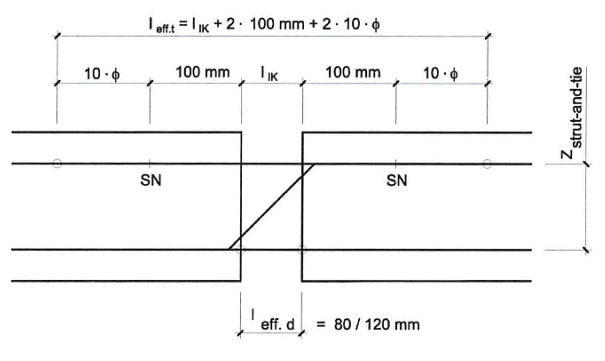
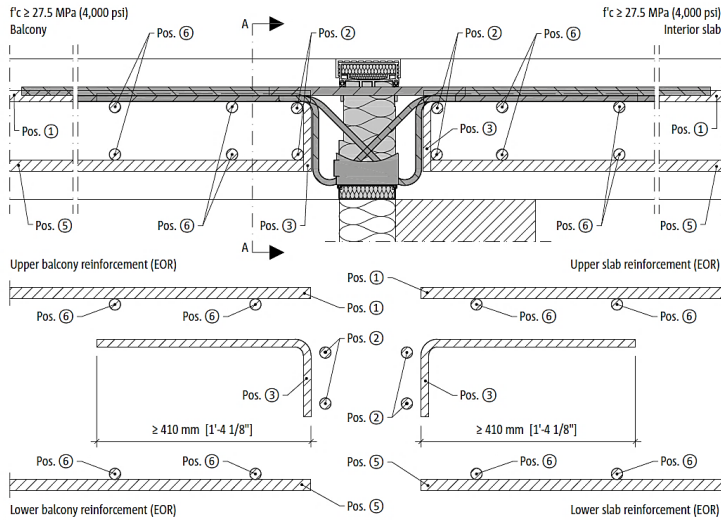
	<p>Tension strap: $\Delta l_t = \epsilon_t \cdot l_{eff,t}$</p> <p>Compression bearing: $\Delta l_{d1} = \epsilon_d \cdot l_{eff,d}$ with $E_d = 45,000 \text{ N/mm}^2$</p> <p>Adjacent materials: $\Delta l_{d2, SLS} = 0.275 \text{ mm}$</p> <p>Compression flange: $\Delta l_d = \Delta l_{d1} + \Delta l_{d2}$</p> <p>Angle of rotation in the joint: $\tan \alpha_{joint} = \frac{\Delta l_t - \Delta l_d}{z}$</p>
Model for determining the bending deformation in the joint	
 <p>$l_{eff,d} = 80 / 120 \text{ mm}$</p>	 <p>$l_{eff,t} = l_{IK} + 2 \cdot 100 \text{ mm} + 2 \cdot 10 \cdot \phi$</p> <p>$l_{eff,d} = 80 / 120 \text{ mm}$</p> <p>SN = welded joint</p>
l_{eff} for ribbed stainless steel bar, as per Section 3.3 and CCB	l_{eff} for plain stainless steel bar with strength classes S355, S460, S690 as per Section 3.3 and CCB

TABLE 6 – DEFORMATION ANALYSIS FOR CANTILEVER CONNECTION WITH COMPRESSION STEEL REINFORCING BARS OR STEEL COMPRESSION BEARINGS

	<p>Elongation of tension strap: $\Delta l_t = \epsilon_t \cdot l_{eff,t}$</p> <p>Elongation of compression flange: $\Delta l_d = \epsilon_d \cdot l_{eff,d}$</p> <p>Angle of rotation in the joint: $\tan \alpha_{joint} = \frac{\Delta l_t - \Delta l_d}{z}$</p>
<p>Model for determining the bending deformation in the joint</p>	
<p>$l_{eff,d} = l_{IK} + 2 \cdot 50 \text{ mm}$ Contraction / control joint</p> <p>10 · ϕ l_{IK} 10 · ϕ Compression bar</p>	<p>$l_{eff,t} = l_{IK} + 2 \cdot 100 \text{ mm} + 2 \cdot 10 \cdot \phi$</p> <p>10 · ϕ 100 mm l_{IK} 100 mm 10 · ϕ Compression bar</p> <p>$l_{eff,d} = l_{IK} + 2 \cdot 50 \text{ mm}$ Contraction / control joint</p> <p>10 · ϕ 100 mm l_{IK} 100 mm 10 · ϕ Compression bar</p> <p>$l_{eff,t} = l_{IK} + 2 \cdot 100 \text{ mm} + 2 \cdot 10 \cdot \phi$</p>
<p>l_{eff} for ribbed stainless steel bar, as per Section 3.3</p>	<p>SN = welded joint</p> <p>l_{eff} for plain stainless steel bar with strength classes S355, S460, S690 as per Section 3.3</p>

A.9 ON-SITE REINFORCEMENT



- Pos. 1**
slab reinforcement
- Pos. 2**
longitudinal bars parallel to insulation
- Pos. 3**
constructive edge reinforcement at Isokorb joint
- Pos. 4**
constructive edge reinforcement at free slab edges
- Pos. 5**
bottom layer reinforcement
- Pos. 6**
longitudinal reinforcement

FIGURE 9 – EXAMPLE CROSS-SECTION OF RECOMMENDED CAST-IN-PLACE STEEL REINFORCING BARS

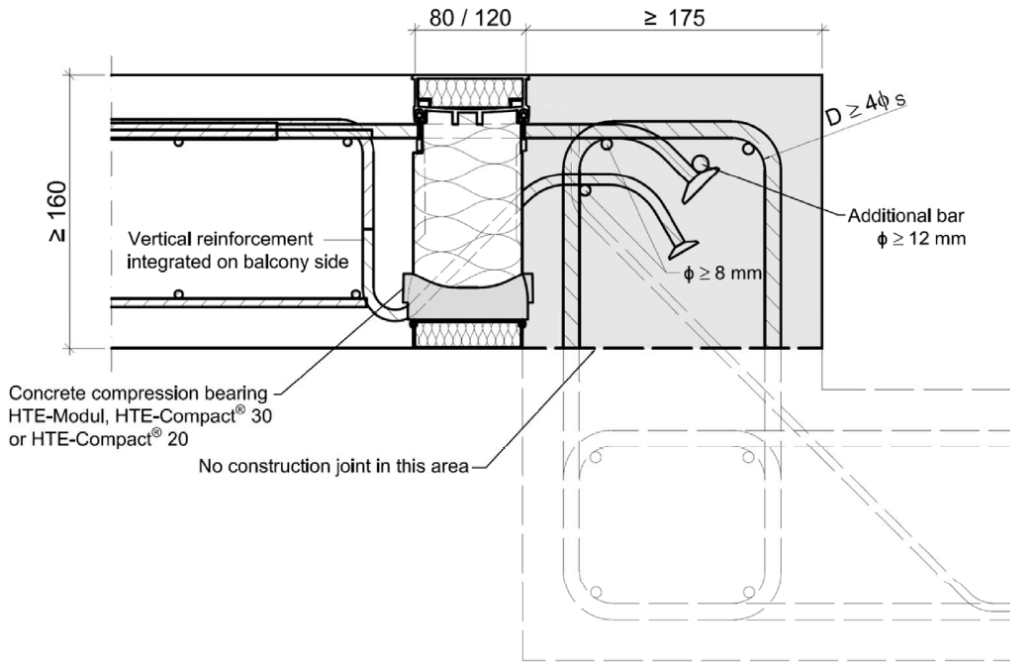


FIGURE 10– ADDITIONAL BARS FOR TYPE CK-U, K-U

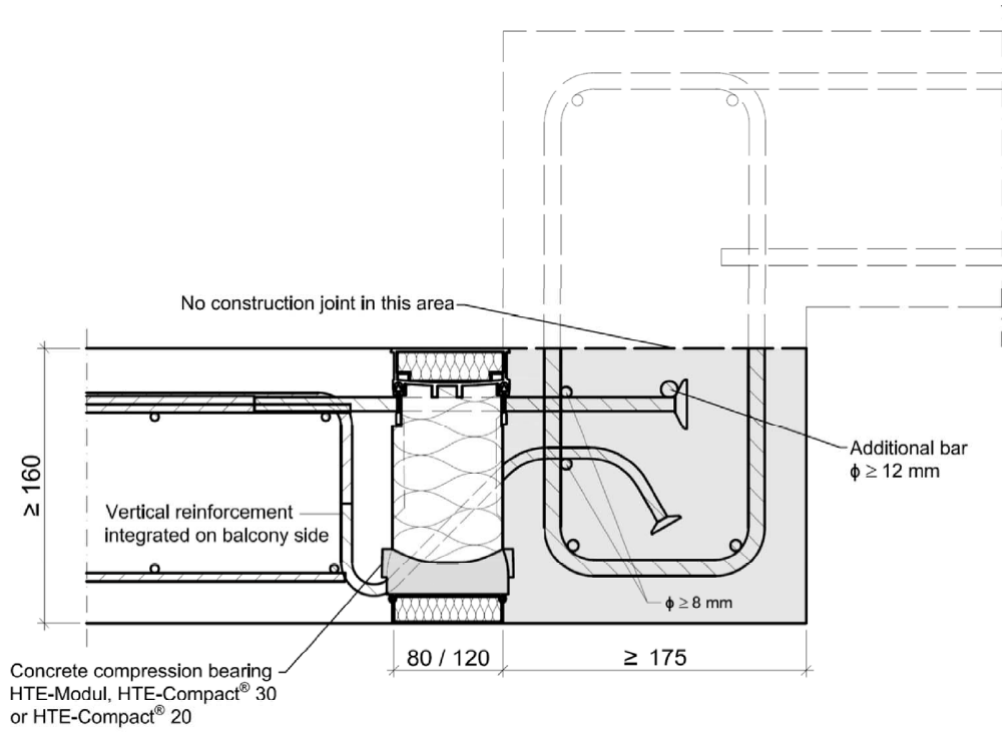


FIGURE 11- ADDITIONAL BARS FOR TYPE CK-O, K-O

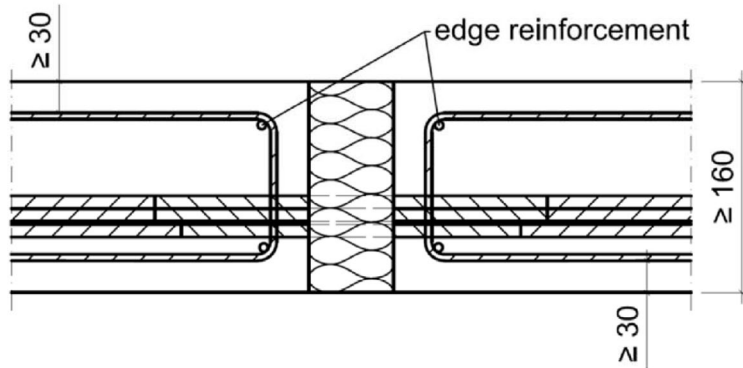


FIGURE 12 - ADDITIONAL BARS FOR TYPE H