



# Installation Manual

## Schöck Bole Type SR

January 2019



Carefully read and follow the instructions provided in the manual. If you have any doubts whatsoever regarding the installation of the Schöck product please contact Schöck. Failure to follow these warnings and instructions can result in product malfunction, causing an accident, severe injury or death.







**Installation support**

Telephone: +1 855 572 4625  
info@schock-na.com  
www.schock-na.com

## Legend and General Notes

To emphasize certain information and procedures regarding the installation of any Schöck product, the following symbols may be used in the manual:

	Indicates an imminently hazardous situation which, if not avoided, will result in death or serious injury.
	Indicates a potentially hazardous situation which, if not avoided, may result in death or serious injury.
	Indicates a potentially hazardous situation which, if not avoided, may result in minor or moderate injury.
	Indicates a potentially harmful situation which, if not avoided, may cause damage to the product or to objects in its vicinity.

### Warranty

A copy of the of the Limited Warranty accompanying this product can be found at <http://www.schock-na.com/download>

### Up-to-date version

The most up-to-date version of this document can be found at <http://www.schock-na.com/download>

## Table of Contents

	<b>Page</b>
<b>Safety Information</b>	<b>4</b>
<b>Delivery &amp; Storage</b>	<b>6</b>
<b>Handling, Sorting &amp; Temporary Storage</b>	<b>7</b>
<b>Installation Manuals</b>	<b>8</b>
Schöck Bole Type SR - Installation with Rail on the Bottom	8
Schöck Bole Type SR - Installation with Rail on the Top	11


# Safety Information


## General Safety Rules


- ▶ This manual is an essential part of the Product. Carefully read and follow the instructions provided in the manual. Keep it in a safe place for future reference. If you have any doubts whatsoever regarding the installation of the Schöck product please contact Schöck.
- ▶ Read all instructions and safety messages before unloading, unpacking, or installing the Product.
- ▶ Common sense must always dictate an installer's actions, particularly where a potentially hazardous condition exists. This entails not only the observation of all safety rules, but also the observation and general analysis of the environment to take any affirmative steps necessary to avoid a hazardous condition. In case of any doubts, always contact your supervisor.
- ▶ Dangerous conditions primarily arise from the following situations:
  - a. Inadequately trained or qualified Personnel;
  - b. Improper installation of a Product;
  - c. Non-compliance with instructions.
 Immediately alert your Supervisor of any hazardous condition or irregularities which could result in an accident, even if the chance of an accident is slim.
- ▶ The components of Schöck Products are designed as a single integrated system. To avoid compromises in terms of safety, performance, durability and function, do not modify the Product or substitute Schöck components with components manufactured by other companies. Any modification or substitution of the product will automatically void the warranty.


## Personnel

- ▶ Schöck Bole must be installed by qualified personnel only.
- ▶ All personnel are required to wear proper Personal Protective Equipment (PPE) to be identified by the Employer or otherwise mandated by applicable Federal, State/Province or local regulations.
- ▶ PPE shall be used at all times, without exception.

	<b>⚠ CAUTION</b>
Hard hats are required at all times.	

	<b>⚠ CAUTION</b>
Protective glasses are required at all times.	

	<b>⚠ CAUTION</b>
Safety shoes are required at all times.	

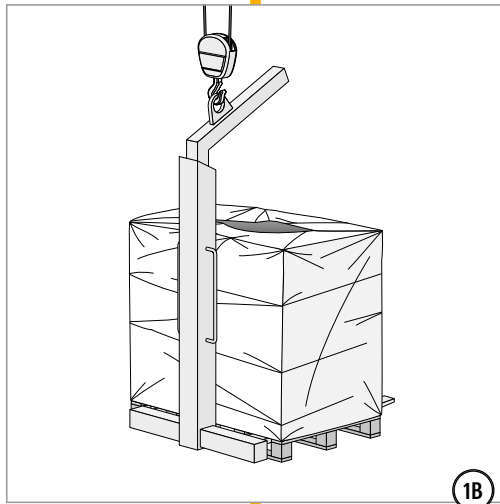
	<b>⚠ CAUTION</b>
Protective gloves are required at all times.	

# Safety Information

## Technical Safety Information

- ▶ Strictly follow the design drawings and specifications of the project's structural engineer.
- ▶ A qualified engineer must verify the correct installation of all Schöck Products on site.
- ▶ The project's structural engineer must check for any changes in the structural behavior of the building as a result of the use of Schöck Products.
- ▶ Information provided by Schöck is for use with Schöck Products only, and not for any other part of the project.
- ▶ The project's structural engineer is responsible for checking and validating the use of Schöck Products in the design of the structure. Schöck is not responsible for the integration of the product in the project.
- ▶ Any design proposal that may be submitted by Schöck is provided for the sole use of this particular project, and may not be used for any other projects or by any other party. Any changes to the structure will invalidate the design proposal.
- ▶ The contractor shall comply with all local, state/province and federal building codes, and all regulations including OSHA requirements and any other state or local safety regulations.
- ▶ Schöck has not verified the overall sufficiency of the structure's design.

## Delivery & Storage

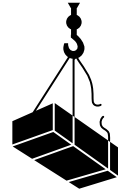


### ⚠ WARNING

#### Suspended loads

Suspended loads can become detached and cause severe injury or death.

- ▶ Stay away from under suspended loads.



### ⚠ WARNING

#### Uneven ground supporting pallet

Placing a pallet on uneven ground can lead to unstable loads and cause severe injury or death.

- ▶ Place pallets on solid and horizontal ground only.



### ⚠ WARNING

#### Stacked pallets

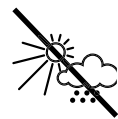
Stacking pallets can lead to unstable loads and cause severe injury or death.

- ▶ Never stack pallets.



### NOTICE

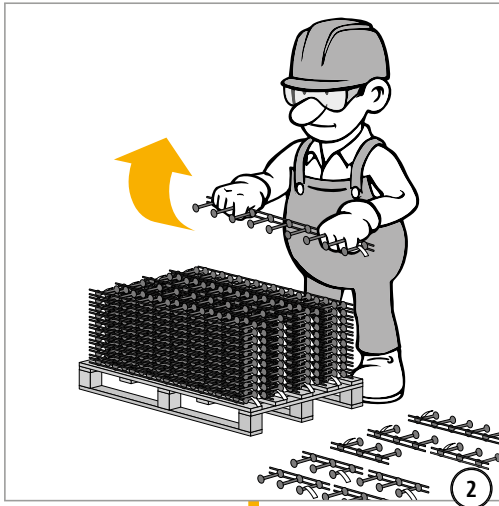
Pallets should not be exposed to constant moisture or direct sunlight over an extended period of time.



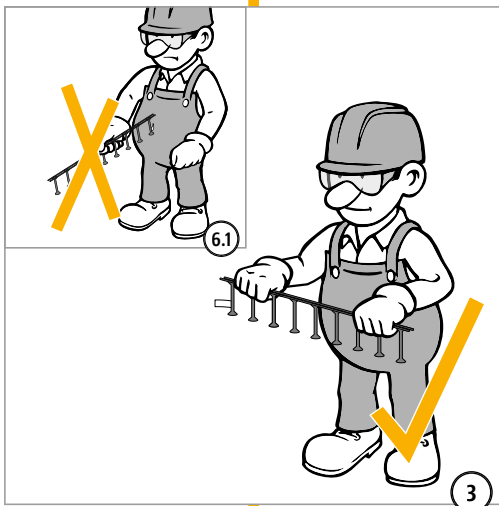
#### ①

- ▶ Pallets must be unloaded by qualified staff only.
- ▶ Unload pallets properly with a suitable forklift (1A) or overhead crane (1B) to avoid falling or tipping over.

## Handling, Sorting & Temporary Storage

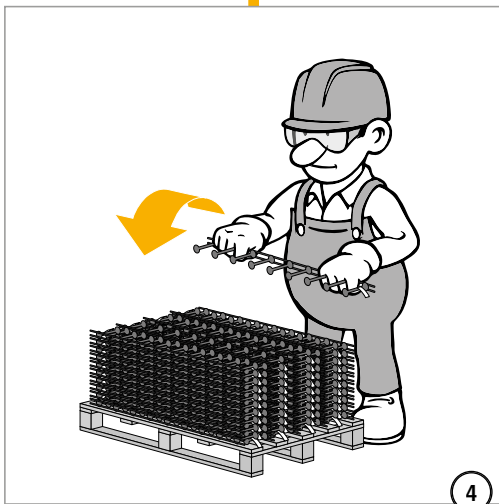


- ②
  - ▶ Unload products individually, and from top to bottom.
  - ▶ A package may also hold different types of stud rails.
  - ▶ The Schöck Bole stud rails must be sorted by types according to the design drawings.
  - ▶ Unload from the side in the direction of the rods.

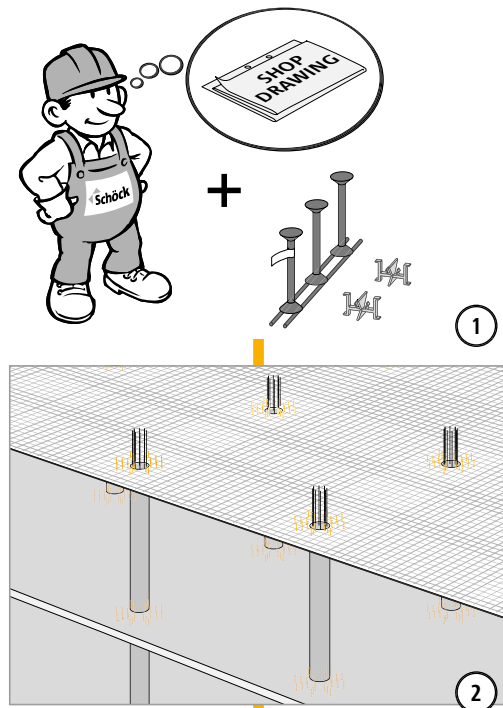


- ③
  - ▶ Hold and lift the product with the rail parallel to your body. Do not hold with end of rail pointing toward your body.

- ④
  - ▶ Put temporary stored products back in safe area.



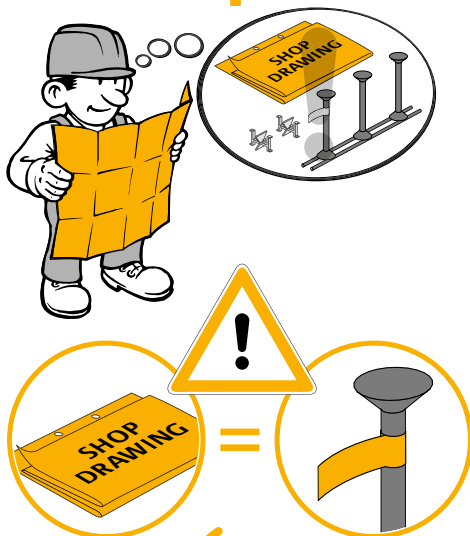
## Installation Instructions – Installation with Rail on the Bottom



- ①
  - ▶ Before installation, check that products match the purchase order and that no parts are missing.  
Necessary parts: Schöck Bole stud rail, plastic spacers if required
  - ▶ Check product for visible damage.
  - ▶ Check product for correct type confirming to shop drawings or to the design drawings of the project's structural engineer.

- ② This image shows the general position for installing the products around the columns. Refer to shop drawings or to the design drawings of the project's structural engineer to confirm exactly where each product should be installed.

- ③ Find the correct location and position of the Schöck Bole Type SR by matching the description on the information flag and the details in the design or shop drawings.



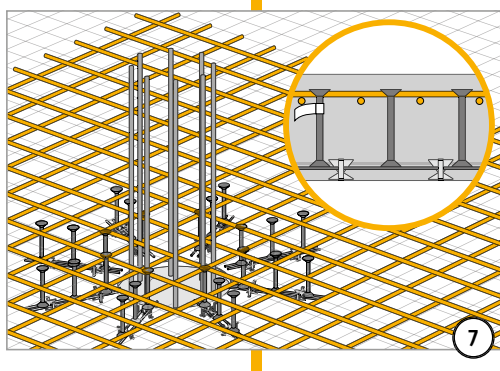
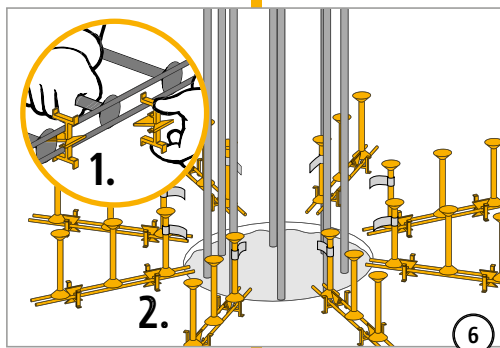
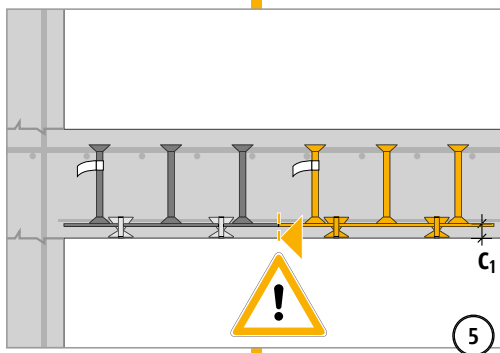
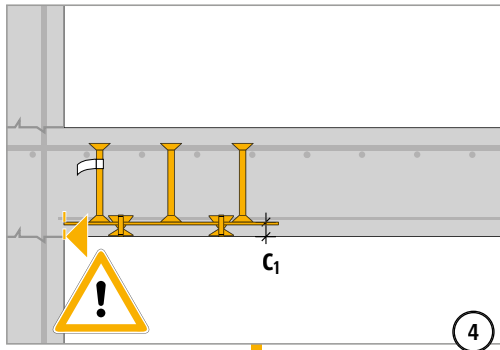
### ✓ CHECK:

- Bole Type
- Location
- Installation name  
(e. g. S.R.5A)

③



## Installation Instructions – Installation with Rail on the Bottom



- ④ The end of the rods must be in one line with the face of the column.
- ⑤ If additional stud rails in one row are necessary, place them directly one after another with rails abutted to one another in a straight line.
- ⑥
  - ▶ Assemble the spacers at the rods of the stud rail.
  - ▶ Place the first row of stud rails around the column according to the shop drawings or the the design drawings of the project's structural engineer.
  - ▶ The information flag marks the stud next to the column.
- ⑦
  - ▶ Place the lower and upper reinforcement layer.
  - ▶ The stud shall reach the outer surface of the upper reinforcement layer.

## Installation Instructions – Installation with Rail on the Bottom



### **⚠ WARNING**

#### **Punching shear failure**

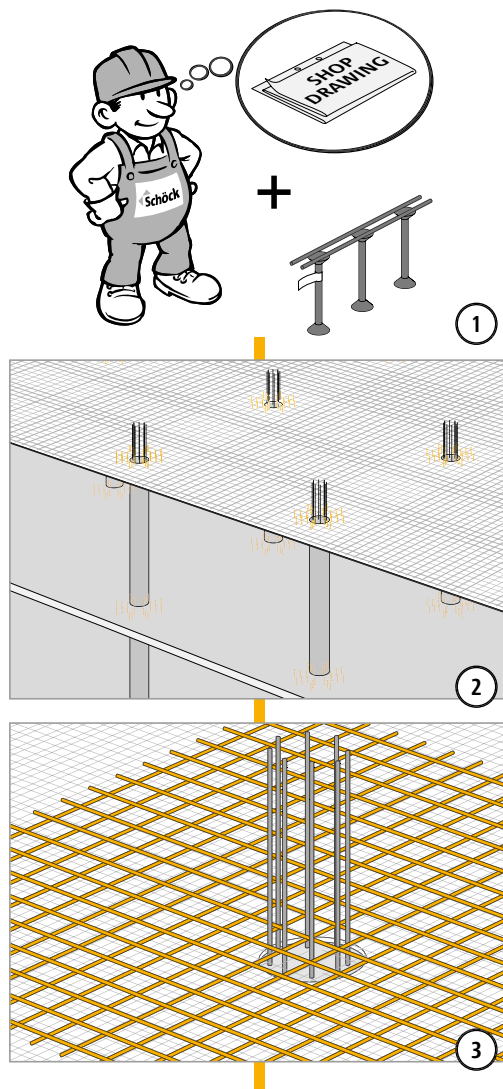
On-site modifications of the Schöck Bole could decrease the strength of the product. The column could punch through the slab, causing severe injury or death.

- ▶ Never modify the Schöck Bole on site and never cut or bend its rebars.



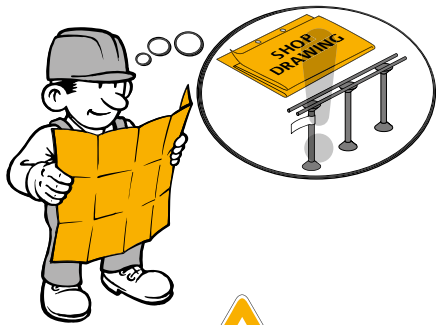
- ⑧ Pour and compact the concrete of the slab.

## Installation Instructions – Installation with Rail on the Top



- ①
  - ▶ Before installation, check that products match the purchase order and that no parts are missing.
  - ▶ Check product for visible damage.
  - ▶ Check product for correct type according to the shop drawings or to the design drawings of the project's structural engineer.
- ② This image shows the general position for installing the products around the columns. Refer to shop drawings or to the design drawings of the project's structural engineer to confirm exactly where each product should be installed.
- ③ Place the lower and upper slab flexural reinforcement layers.

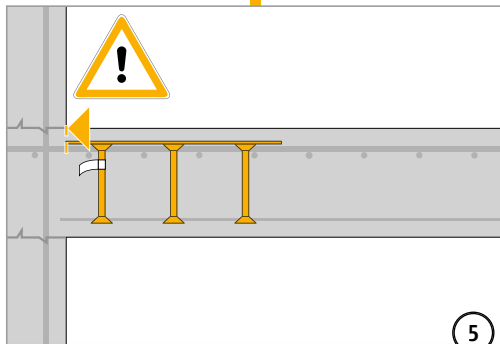
## Installation Instructions – Installation with Rail on the Top



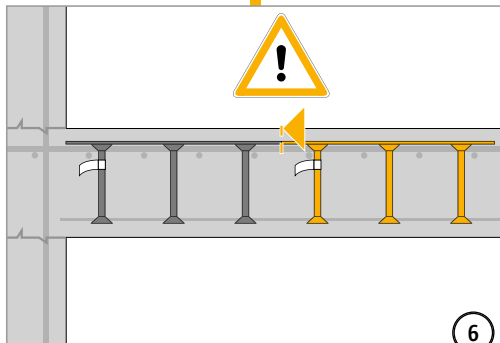
### CHECK:

- Bole Type
- Location
- Installation name (e. g. S.R.5A)

④



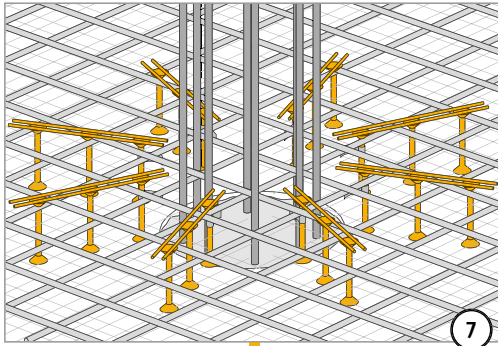
⑤



⑥

- ④ Match the product description on the information flag to the corresponding details in the shop drawings or in the design drawings of the project's structural engineer to confirm exactly where each product should be installed.
- ⑤ The end of the rods must be in one line with the face of the column.
- ⑥ If additional stud rails in one row are necessary, place them directly one after another with rails abutted to one another in a straight line.

## Installation Instructions – Installation with Rail on the Top



⑦

- ▶ Place the first row of stud rails according to the design or shop drawing around the column.
- ▶ The information flag marks the stud next to the column.

### ⚠ WARNING

#### Punching shear failure

On-site modifications of the Schöck Bole could decrease the strength of the product. The column could punch through the slab, causing severe injury or death.

- ▶ Never modify the Schöck Bole on site and never cut or bend its rebars.



⑧

- ⑧ Pour and compact the concrete of the slab.





Copyright:

© 2019, Schöck North America  
The contents of this document or extracts thereof are subject to all applicable trademark and copyright laws, and may not be distributed to third parties without the prior written consent of Schöck North America. Schöck reserves the right to make changes at any time. Go to [www.schock-na.com/](http://www.schock-na.com/) download for the most up-to-date version of this document.

Publication date: January 2019

Schöck North America  
[www.schock-na.com](http://www.schock-na.com)  
[info@schock-na.com](mailto:info@schock-na.com)  
Telephone: +1 855 572 4625

Schöck USA, Inc.  
281 Witherspoon Street, Suite 110  
Princeton, NJ 08540

Schöck Canada, Inc.  
116 Albert Street, Suite 300  
Ottawa, ON K1P 5G3

01.2019/NAM-en/180466

