

Technical datasheet for UHPC balconies.



Schöck Bauteile GmbH
Vimbucher Straße 2
76534 Baden-Baden
Telefon: +49 7223 967-144
Fax: +49 7223 967-470
export@schoeck.com
www.schoeck.dk

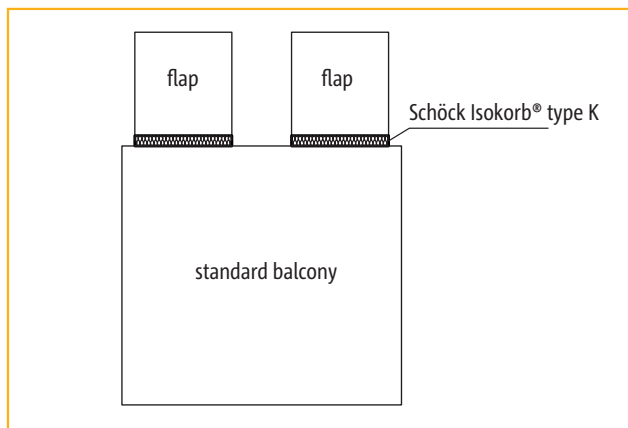
Schöck Isokorb®

prefabricated balconies with supporting flaps

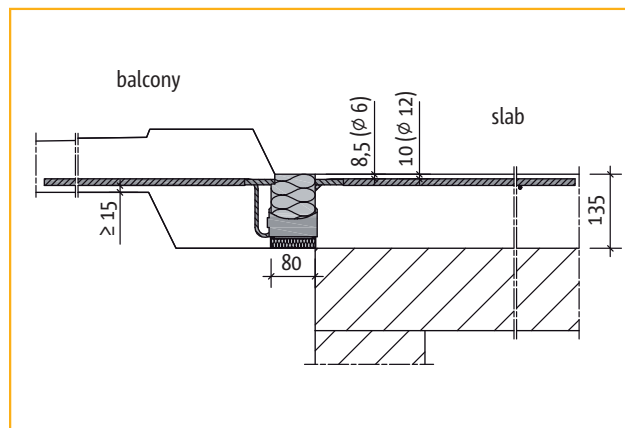
Advantages using the Schöck Isokorb® instead of packing the flaps:

- better thermal insulation
- less height of the slab-structure
- quicker mounting at the building site

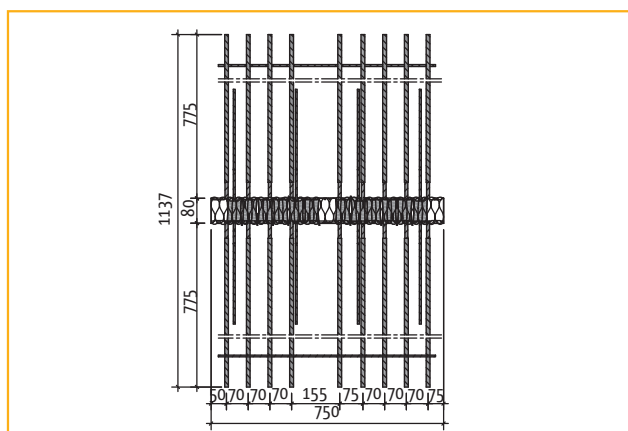
Example of element arrangements and cross-section



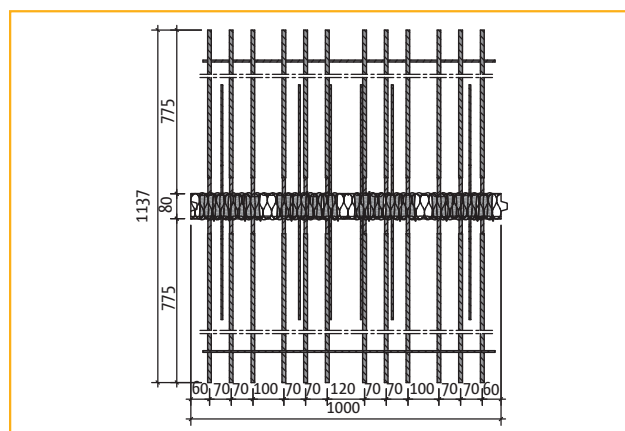
Free cantilever balcony with flaps



cross-section



Plan view of Schöck Isokorb® type K55



Plan view of Schöck Isokorb® type K90

	product description					design and calculation table			Building physics
	art.-no.	length [m]	tension bars	pressure elements	shear force rods	M_{Rd} [kNm/flap]	Q_{Rd} [kNm/flap]	c [kNm/rad]	λ_{eq} [W/(mK)]
K55-HiCon-H135-L750	1011105	0,75	9 \varnothing 12	12	4 \varnothing 6	- 30,4	+ 30,8	2479	0,323
K90-HiCon-H135-L1000	1011106	1	12 \varnothing 12	16	6 \varnothing 6	- 40,5	+ 41,0	3304	0,325

- Minimum of compression strength of the UHPC: $f_{ed} \geq 140 \text{ N/mm}^2$
- The resistances are calculated according to the Danish standard.
- Loads due to transport have to be verified separately.
- On-site additional reinforcement must be calculated in a wise so that it is able to transmit the calculated stresses of the Schöck Isokorb® to the balcony and the flap by the structural engineer in charge.
- The stiffness values shown in the table only results from the Schöck Isokorb®. This provides estimation for the additional pre camber.

Generalagent i Sverige

HUCon[®]

produkter till byggindustrin

Schöck Bauteile GmbH
Vimbucher Str. 2
D-76534 Baden-Baden/Germany
Telefon: +49 7223 967-144
Telefax: +49 7223 967-470
www.schoeck.dk
export@schoeck.com

HauCon A/S
Lægårdsvej 19
8520 Lystrup
Tlf.: + 45 86 22 93 93
Fax: + 45 86 22 93 96
www.haucon.dk
info@haucon.dk

 **Schöck**
Innovative Baulösungen