



PRODUCTS & SYSTEMS

**Building the future with
innovative solutions.**



Coolhouse, the Netherlands. Photo: Luuk Kramer fotografie

Dependable by design. Since 1962.

When it comes to modern construction practices, issues such as sustainability and safety are key factors. Schöck has future-oriented solutions in its portfolio to meet these challenges. What's more, our products and services are backed up by six decades of experience. Our inventiveness enables us to set international benchmarks time and time again. Our developments are milestones that make construction easier and more efficient and increase the scope of design freedom.



Content

Company philosophy	4
Outstanding quality	6
Comprehensive expertise	8

Thermal insulation

Schöck Isokorb®	10
Schöck Sconnex®	16
Schöck Isolink®	18

Impact sound insulation

Schöck Tronsole®	22
------------------	----

Reinforcement technology

Schöck Stacon®	24
Schöck Bole®	26
Visible success	28
Reliable service	34
Contact	35

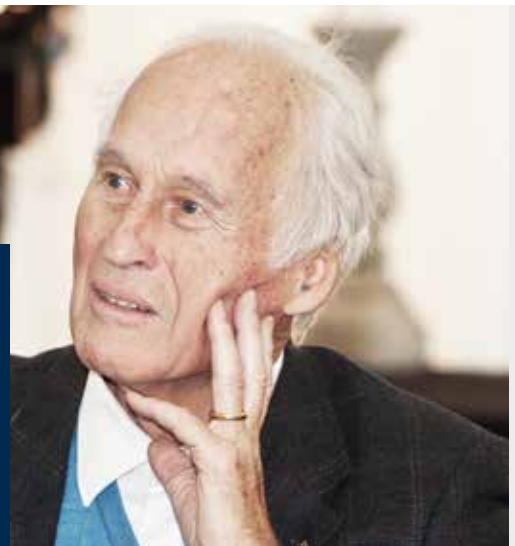
COMPANY PHILOSOPHY

Driven by responsibility.

One of the greatest challenges for a successful company is to develop innovative solutions that prove to be effective in practice and are also cost-effective. Company founder Eberhard Schöck made a lasting improvement to the construction industry with his very first invention. This joy of innovation is still what drives us to this day.



You should never rest on your laurels. To be successful, you have to develop new things or improve existing ones.



*Eberhard Schöck,
Company founder*

With the aim of developing a more rational approach to construction, Eberhard Schöck came up with the idea to minimise thermal bridges on cantilevered components at the end of the 1970s – thus began the success story that is Isokorb®, followed by innovative solutions with the aim of minimising impact noise in stairways, developing

reinforcement for special requirements and thermal bridge-free façade fastening. This was the foundation that enabled us to become a leading provider, offering optimum support with the increasing challenges faced by all participants in the construction process.



Visionary goals consistent with sustainability and internationalisation

Schöck has a long-standing reputation internationally as a successful component manufacturer. Its sophisticated products and systems continually set new benchmarks. It focuses on sustainable solutions and modern technologies to enable their implementation. At the same time, digitalisation as a continuous flow of data from planning through to construction has also become a decisive success factor in the construction industry:

Schöck is a pioneer in efficient construction and continues to successfully advance this transformation process. And with all the focus on success and growth, responsibility for the future also manifests itself in social commitment, very definitively in the form of foundations. They promote education and training in various national and international projects, and regard this as a very important and sustainable investment in the future.

EBERHARD
SCHÖCK 
STIFTUNG



Schöck-Familien-Stiftung
ZUKUNFT DURCH BILDUNG

International success with an awareness of roots.

Reliability is something that is sought after worldwide and is also the best prerequisite for achieving visionary goals.

OUTSTANDING QUALITY

Expertise for technological progress.

To be a market leader, one fundamental principle applies: quality and reliability comes first. That is why we ensure transparency and control at all levels to nurture customer trust and loyalty.

The experts at Schöck provide an outstanding service and are therefore in demand in order to develop in-house products and systems through to market maturity. Naturally, we perform regular tests in our own laboratories. However, testing and certifications from independent institutes are just as important.

Thanks to close partnerships with universities and research institutes, we promote young talent and, at Schöck, everyone involved is always kept up to date with the latest scientific developments in order to exploit technological opportunities to the full.

CERTIFICATIONS AND APPROVALS

Our products are often not just rated highly, they far exceed the required standards. This gives added security.



Technical approvals by DIBt, the German Institute for Construction Technology



The BBA issues technical approvals for construction products in the UK



Energy-efficient installation in passive houses



Environmental Product Declarations (EPD) provide the data basis for environmental building assessment.



ICC-ES issues technical approvals for building products in the US



European Technical Approval (ETA) with CE mark



Creating something new together

Schöck is able to achieve outstanding results by adhering to a very sound principle: work together with companies who are specialists in their areas of expertise. We have established partnerships for areas such as façade systems, digitalisation as well as concrete and glass fibre composite technology, such as the state-of-the-art Combar production, which is further proof of our commitment to technological progress from which our partners and customers profit. Synergy effects lead to unique solutions and increase the range of possibilities. These are the best conditions for those who want to design the future.



COMPREHENSIVE EXPERTISE

The optimal solution for a wide range of applications.

Our goal as a partner in modern construction is to achieve improved environmental sustainability, enhanced safety and easy application handling with our product portfolio. At the same time, we see it as our duty to open up new design possibilities using reliable solutions. With many years of experience, we provide support in all phases of construction for applications related to thermal bridges, impact noise and reinforcement technology.

Balcony, access balcony and canopy



Wall and column



Parapet and roof superstructure



Schöck Isokorb®

Load-bearing thermal insulation elements for preventing thermal bridges, e.g. for balconies.

Schöck Stacon®

Shear force dowel for a secure connection of reinforced concrete components in expansion joints without constraint.

Schöck Signo®

Formwork element for the perfect framing of concrete components such as balconies.

Schöck Sconnex®

Thermal insulation elements for reducing vertical thermal bridges in reinforced concrete walls and columns as well as in masonry walls.

Schöck Signo®

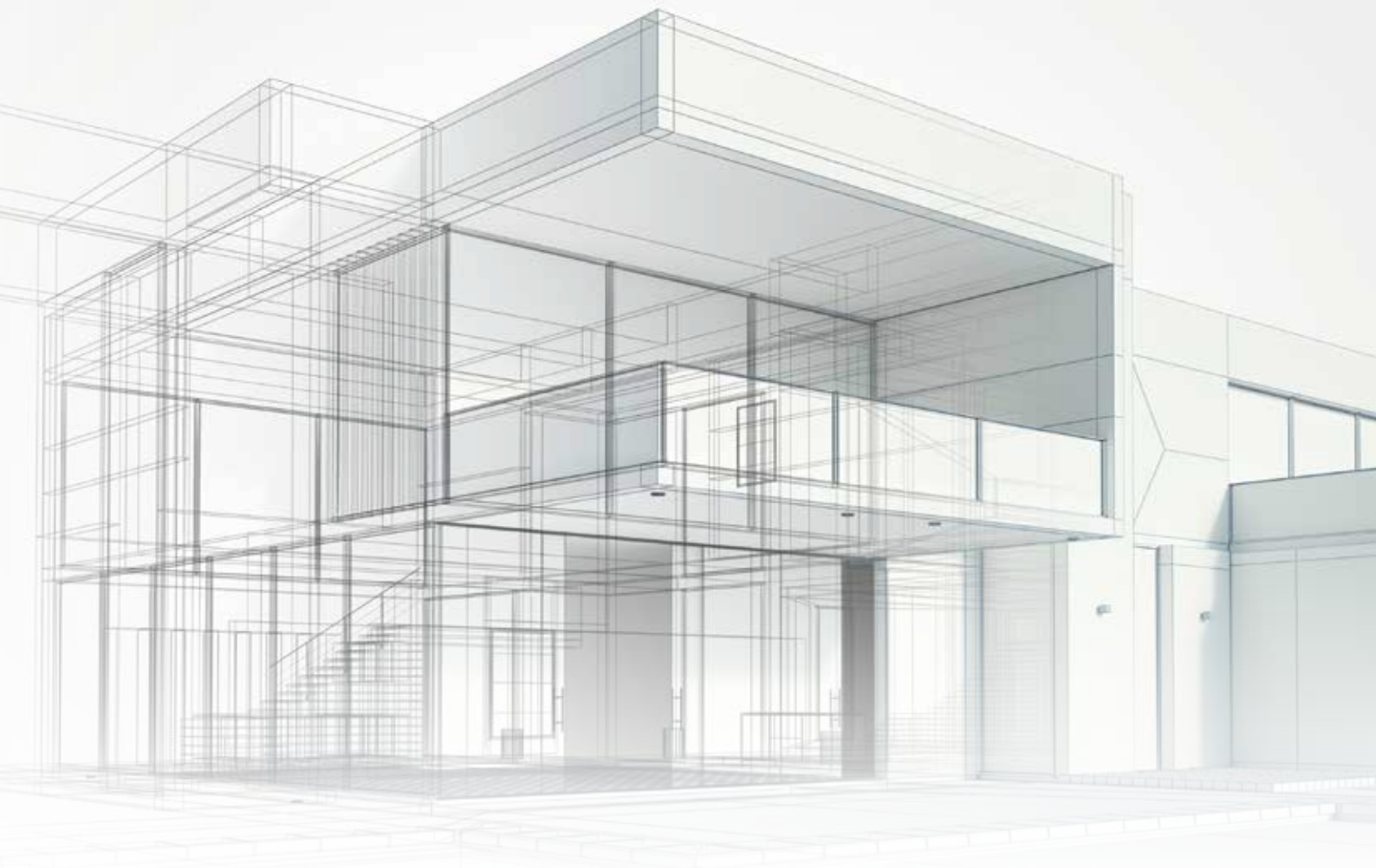
Formwork element for the perfect framing of concrete components such as wall openings.

Schöck Isokorb®

Load-bearing thermal insulation elements for preventing thermal bridges in parapet connections.

Schöck Stacon®

Shear force dowel for a secure connection of reinforced concrete components in expansion joints without constraint.



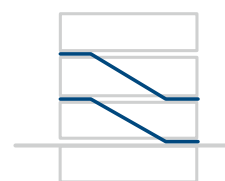
Façade



Slab



Stairs



Schöck Isolink®

Wall anchor made of a glass fibre composite material for the fastening of façades without thermal bridging.

Schöck Bole®

Efficient punching shear reinforcement for reliable load transfer in the support area of flat slabs and foundation slabs.

Schöck Stacon®

Shear force dowel for a secure connection of reinforced concrete components in expansion joints without constraint.

Schöck Signo®

Formwork element for the perfect framing of concrete components such as floor slabs.

Schöck Tronsole®

Sound insulation system for reducing impact noise for all staircase connections.

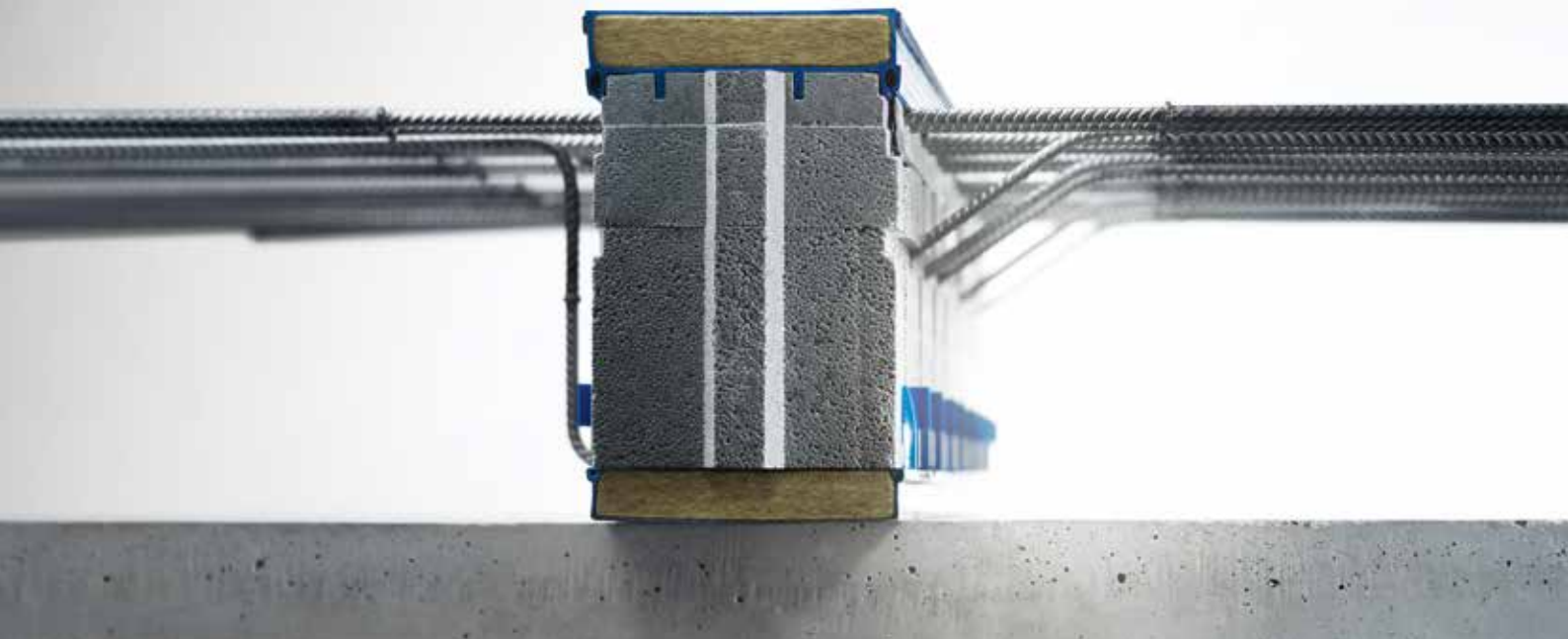
Schöck Signo®

Formwork element for the perfect framing of concrete components such as stairs.

SCHÖCK ISOKORB® CONCRETE / CONCRETE

Ultimate insulation.

The load-bearing thermal insulation element Schöck Isokorb® XT ensures thermal separation of cantilevered reinforced concrete components and prevents thermal bridges in balconies, parapets, loggias and access balconies.



Benefits

Optimal thermal insulation

Due to 120 mm thick insulating material.

Comprehensive safety

Technical approval by DIBt (Deutsches Institut für Bautechnik) and other certification institutes available.

Passive house certified

Various types of freely cantilevered or supported balconies can be realised in the passive house standard.

Fire protection

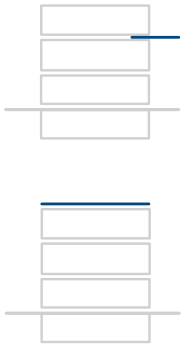
Meets fire protection requirements for fire resistance class REI 120.

Wide variety of product variants

Additional product variants available with 80 mm thick insulating material or with tension bars made of glass fibre composite material.

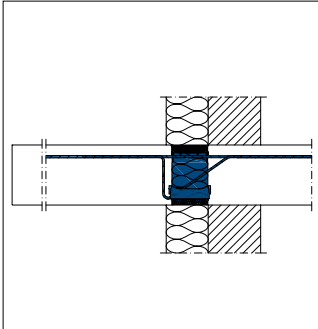


Thermal insulation
Schöck Isokorb®



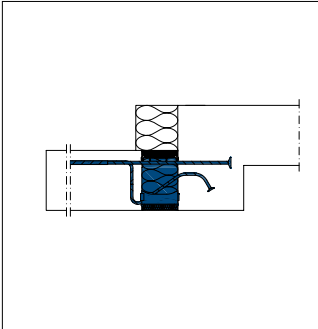
Construction examples

Schöck Isokorb® XT type K



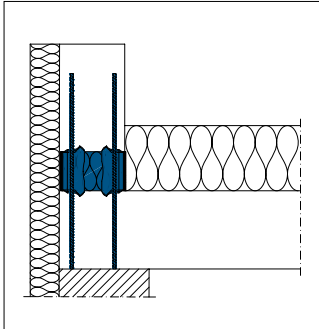
Connection of a cantilevered balcony with external thermal insulation composite system (ETICS)

Schöck Isokorb® XT type K-U



Connection of a cantilevered balcony with height offset downwards

Schöck Isokorb® CXT type A



Connection of a parapet - With rebars made of glass fibre reinforced material

SCHÖCK ISOKORB® STEEL / CONCRETE

Effective against thermal bridges in steel construction.

Schöck Isokorb® XT/T types SK/SQ ensure a secure connection between steel beams and reinforced concrete components in terms of construction and building physics.



Benefits

Minimizing energy losses

Reduces thermal bridges to a minimum and carries higher loads.

Versatile application options

For freely cantilevered or supported steel balconies, steel canopies, façade constructions or shading systems.

Easy detail design

Can be adapted to increasing façade insulation thicknesses.

Comprehensive safety

Technical approval by DIBt (Deutsches Institut für Bautechnik) and other certification institutes.

Reliable on-site installation

With the Schöck Isokorb® installation tool.

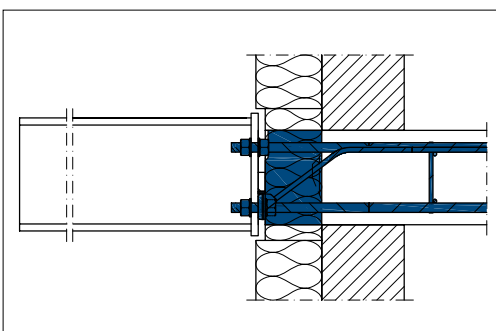
Solution for timber construction

Freely cantilevered or supported timber structures can be realised with Schöck Isokorb® in conjunction with steel bracing.



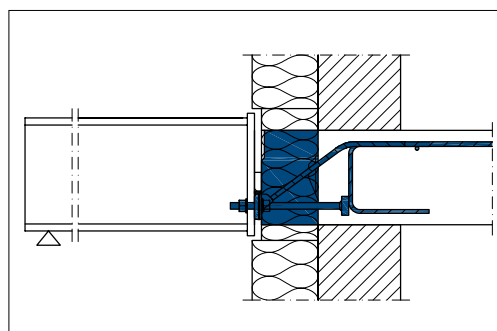
Construction examples

Schöck Isokorb® XT type SK



Connection of cantilevered steel structures to reinforced concrete floor slab

Schöck Isokorb® XT type SQ



Connection of supported steel structures to reinforced concrete floor slab

SCHÖCK ISOKORB® STEEL / STEEL

The efficient thermal insulation element for steel construction.

Schöck Isokorb® T type S reliably separates and minimises thermal bridges at the connections to steel structures, e.g. canopies, frame systems or balconies. For new build and renovation projects.



Benefits

High load-bearing capacity and reliable thermal protection

No corrosion due to the use of rustproof steel.

Versatile range of applications

In new build and renovation projects, and for special applications.

Comprehensive safety

Technical approval by DIBt (Deutsches Institut für Bautechnik) and other certification institutes.

Easy installation

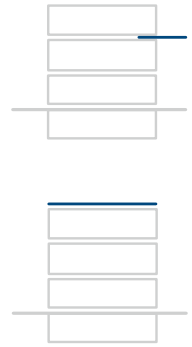
Same as normal front plate connections – for all common steel profiles.

Modular design

Separate thermal spacers for individual height adjustment on site.

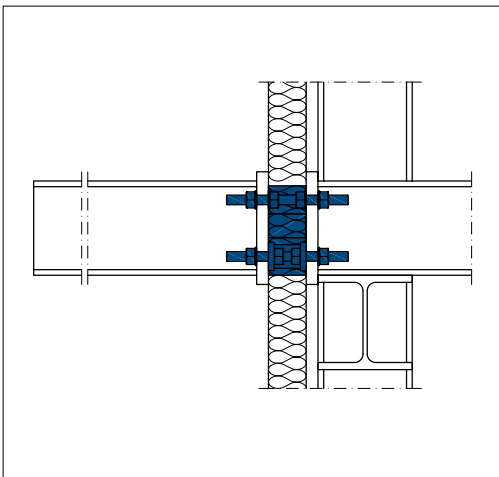


Thermal insulation
Schöck Isokorb®



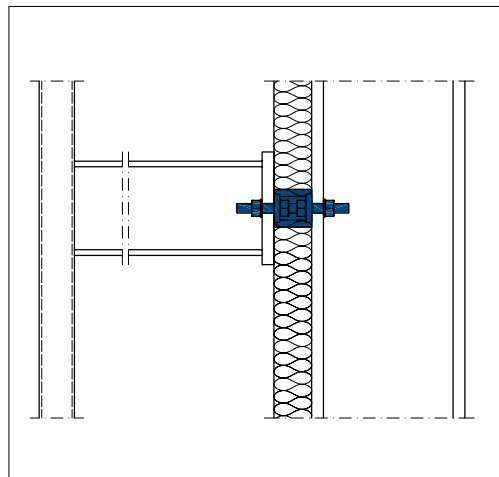
Construction examples

Schöck Isokorb® T type S



Freely cantilevered steel structure

Schöck Isokorb® T type S-V



Supported steel structure

SCHÖCK SCONNEX®

Closing the last major thermal bridge at walls and columns.

Schöck Sconnex® is the innovative solution for reducing vertical thermal bridges in reinforced concrete walls and columns as well as at masonry walls.



Benefits

Improved energy efficiency

Due to the reduction of thermal bridges.

Improved look

Reinforced concrete walls and columns in attractive exposed concrete as flanking insulation is no longer necessary.

Greater design freedom

Sophisticated building design geometries can be easily implemented in an energy efficient manner.

Reliable energy planning

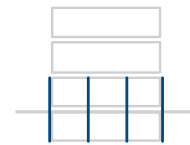
Unique solution for homogeneous building envelope.

Sustainability and quality

Sustainable building concept due to high-quality detailing.

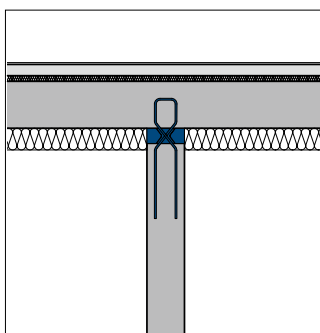
Comprehensive safety

Technical approval by DIBt (Deutsches Institut für Bautechnik).



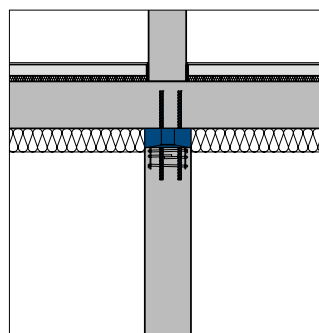
Construction examples

Schöck Sconnex® type W



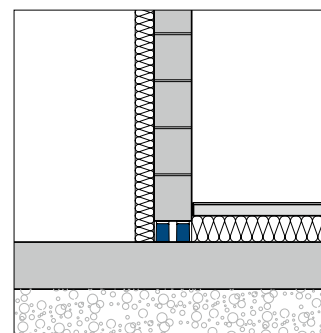
Wall connection for thermal separation of reinforced concrete walls

Schöck Sconnex® type P



System solution for thermal separation of reinforced concrete columns

Schöck Sconnex® type M



Water-repellent thermal insulation element for the building base

SCHÖCK ISOLINK® TYPE C

Thermal bridge-free fastener for concrete façades.

The Schöck Isolink® type C is used as a thermally separating façade anchor for core-insulated concrete façades. The glass fibre composite material reduces thermal bridges to a minimum.



Benefits

Optimal thermal insulation

Certified passive house component made from a glass fibre composite material with outstanding characteristics in terms of building physics.

High-quality exposed concrete

High-quality exposed concrete façades can be realised thanks to product variants with depth limiters.

Multi-functional application

Spacer and connecting element combined in one product solution.

Versatile application

Can be used with every type of insulation material.

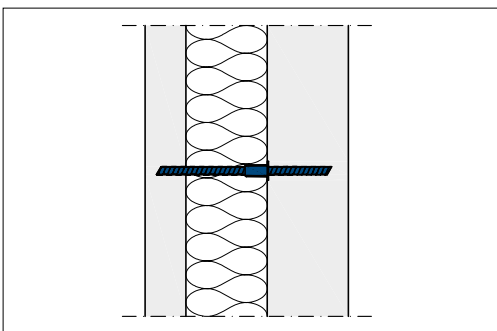
High level of safety

Approved for use throughout Europe with CE mark (European Technical Assessment).



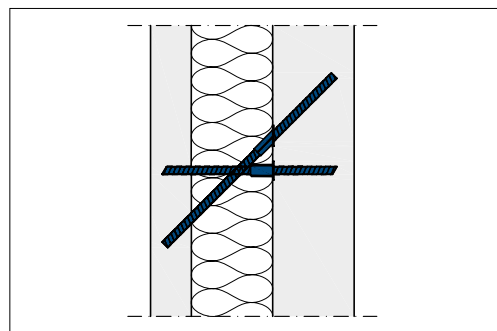
Construction examples

Schöck Isolink® type C-SH



Schöck Isolink® type C-SH in a sandwich wall

Schöck Isolink® type C-SD



Schöck Isolink® type C-SH and C-SD in a sandwich wall

SCHÖCK ISOLINK® TYPE F

The energy efficient connection for rainscreen cladding façades.

The rainscreen cladding façade is an established feature in modern construction. The Schöck Isolink® type F made from glass fibre composite material meets the highest building energy standards when it comes to its fastening.



Benefits

Thermal bridge-free fastener

Passive house component with approx. 200 times higher thermal insulation performance than aluminum wall brackets and approx. 15 times higher than stainless steel wall brackets.

Easy installation

Simple anchoring in concrete and masonry with the help of approved composite mortar.

High economic efficiency

Approx. 50 % less insulation material required due to the low thermal conductivity compared to aluminum wall brackets.

Versatile application

Suitable for rainscreen cladding façade sub-structures and for anchorage in concrete and masonry – for new build and renovation projects.

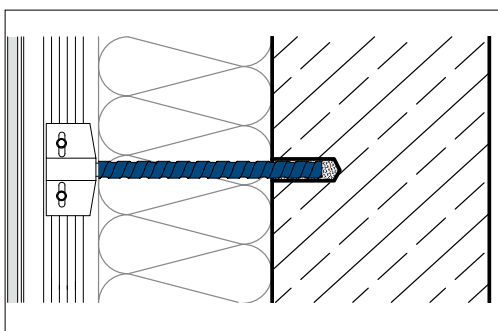


Thermal insulation
Schöck Isolink®

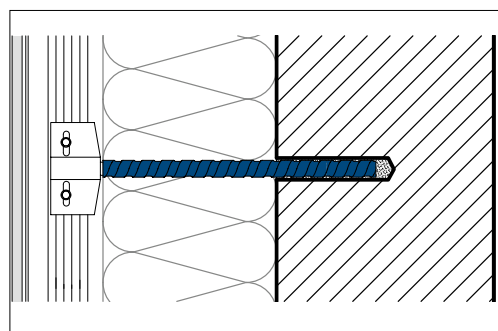


Construction examples

Embedment depth in concrete and masonry



The anchoring depth in concrete is 40 mm



The Isolink® has an anchoring depth of 80 mm in a masonry sub-structure

SCHÖCK TRONSOLE®

Effective impact sound insulation for stairs.

As a sound insulation system, the Schöck Tronsole® types offer effective insulation against impact sound for all staircase connections – with the highest level of sound protection.



Benefits

A complete system

Perfectly matching solutions for every reinforced concrete staircase. Suitable for spiral or straight staircases and for landings.

High reliability for planning

Mature, proven products with the necessary German static verifications, such as the approval for Schöck Tronsole® type P, type Q, type T and type F.

Freedom of design

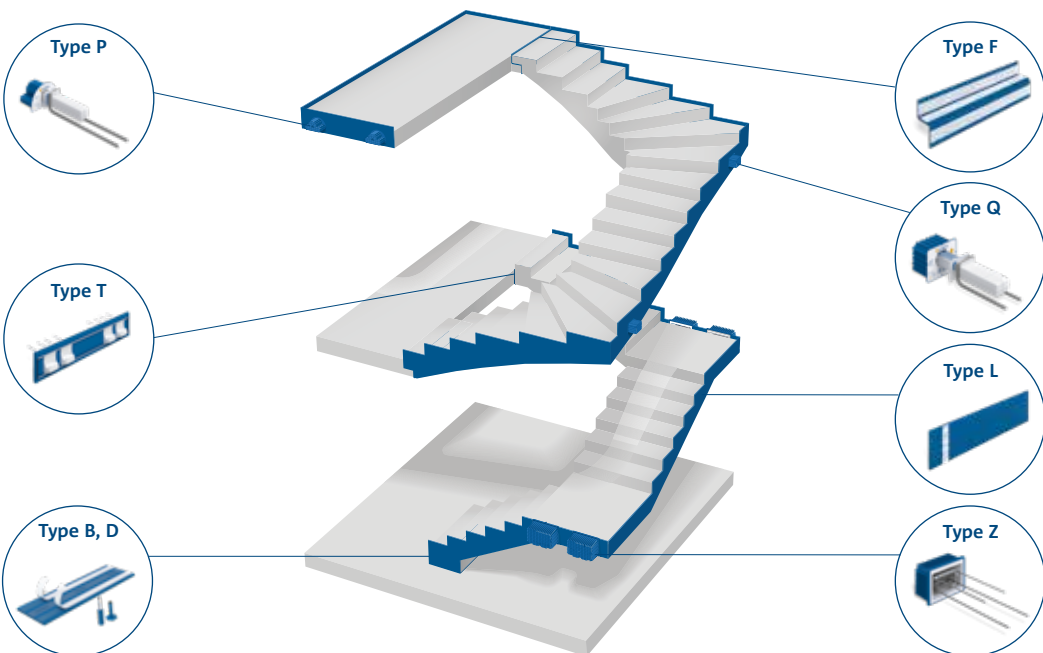
Connections with Schöck Tronsole® do not require corbel support, allow the design of air joints and filigree exposed concrete landings.

Simple and safe installation

Thanks to optimised products and the safety of the blue line.



Impact sound insulation
Schöck Tronsole®



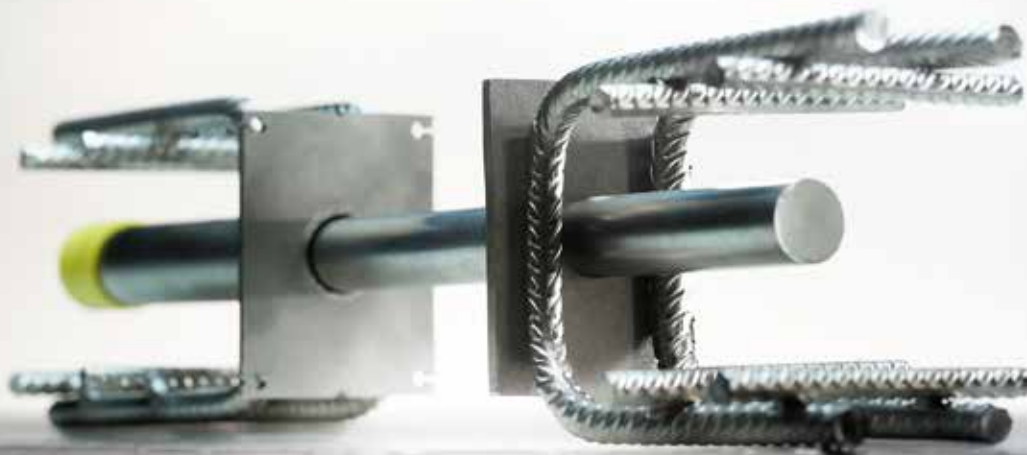
On the safe side with the blue line:

The blue line is visible quality indicator for acoustic bridge-free installation and is a prerequisite for effective impact sound protection. It ensures additional reliability when planning and implementing the impact sound protection system.

SCHÖCK STACON®

Easy reliable transmission of shear forces.

Schöck Stacon®, the ready-to-install shear force dowel, transfers shear forces in expansion joints without constraint. It enables easy planning and placement of formwork, and also simplifies the layout of reinforcement at the same time.



Benefits

High load-bearing capacity

Transfers high loads in the concrete component via effective anchor elements.

Ready-to-install and maintenance-free

Made of rustproof stainless steel and delivered ready for installation – for a secure connection free of maintenance.

Proven fire protection

The shear force dowel fulfils the fire protection classification R 120 according to the European Technical Assessment (ETA) with optional fire protection collar.

Planning convenience

Software-supported planning for easy and safe dimensioning of the shear force dowel.

Tested safety

Tested according to state-of-the-art technology based on European Technical Assessment (ETA).

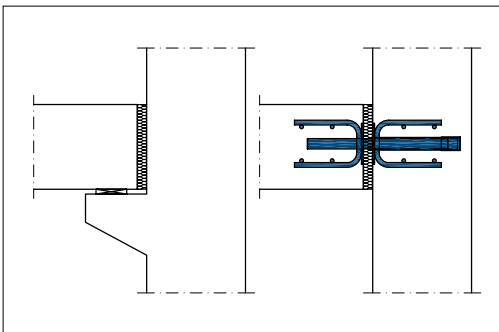


Reinforcement technology
Schöck Stacon®

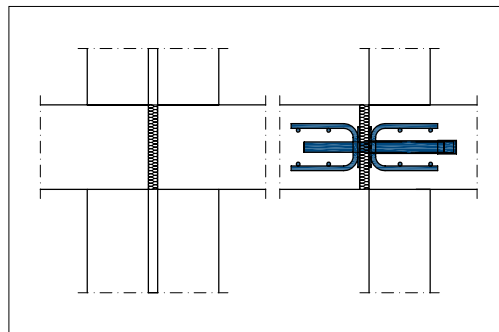


Construction examples

Secure force transmission in expansion joints



Expansion joint with Schöck Stacon® instead of a corbel

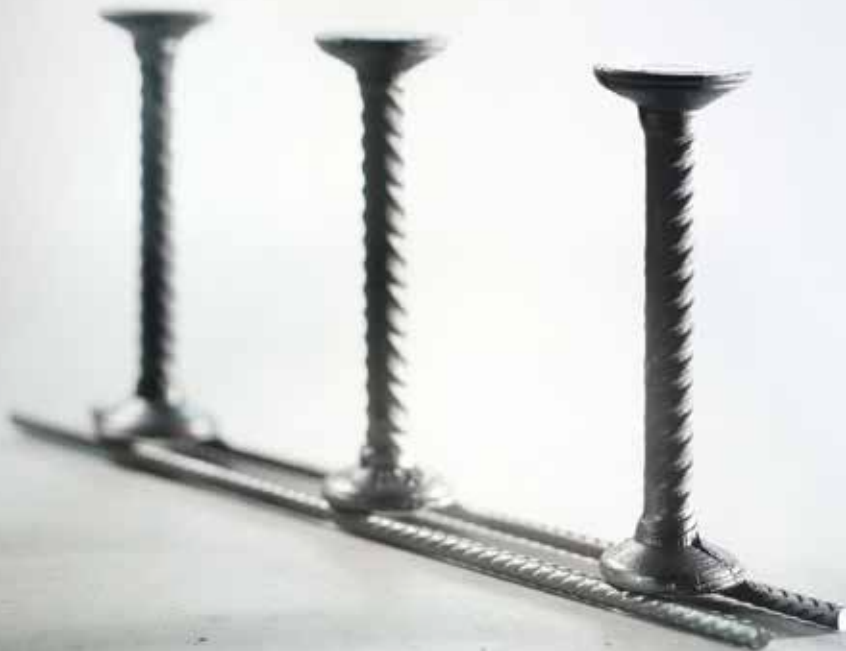


Expansion joint with Schöck Stacon® instead of a double support or wall

SCHÖCK BOLE®

The efficient solution against punching shear.

Schöck Bole®, the ready-to-install reinforcement element for point-load supported flat slabs, prevents punching shear due to the optimal force transfer in the area of the columns.



Benefits

High level of safety

Approved for use throughout Europe with CE mark (European Technical Assessment).

Easy installation

All Schöck Bole® types ensure easy and time-saving installation.

Ready-to-install elements

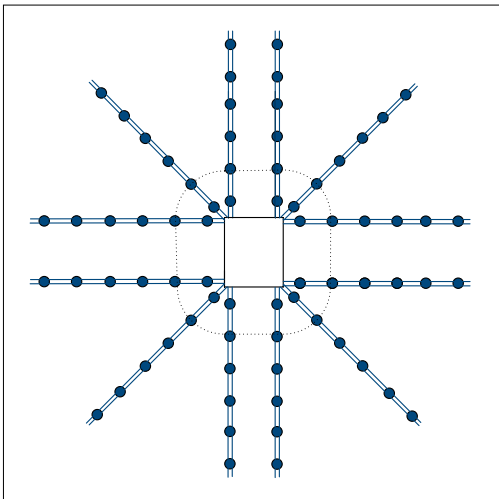
Schöck Bole® is delivered ready-to-install, ensuring fast and secure installation.

Tailor-made solution

Easy and fast implementation at the construction site with Bole® types U and O. Type F was developed for efficient installation in the precast plant.



Reinforcement technology
Schöck Bole®



Arrangement example for Schöck Bole®, in this case with 12 strips

VISIBLE SUCCESS

Convincing arguments from practical experience.

All new products go through a period of intensive development before they can be used in international projects. However, the most convincing argument comes from practical experience.

The Biotope, Lille, FR

The goal of the architects was to create a building that promotes the health and well-being of its users, maintains a positive energy balance and creates a healthy indoor climate. Two of the measures taken were to reduce thermal bridges on balconies and use core-insulated double walls.

Products: Schöck Isokorb®, Schöck Stacon®, Schöck Isolink®.

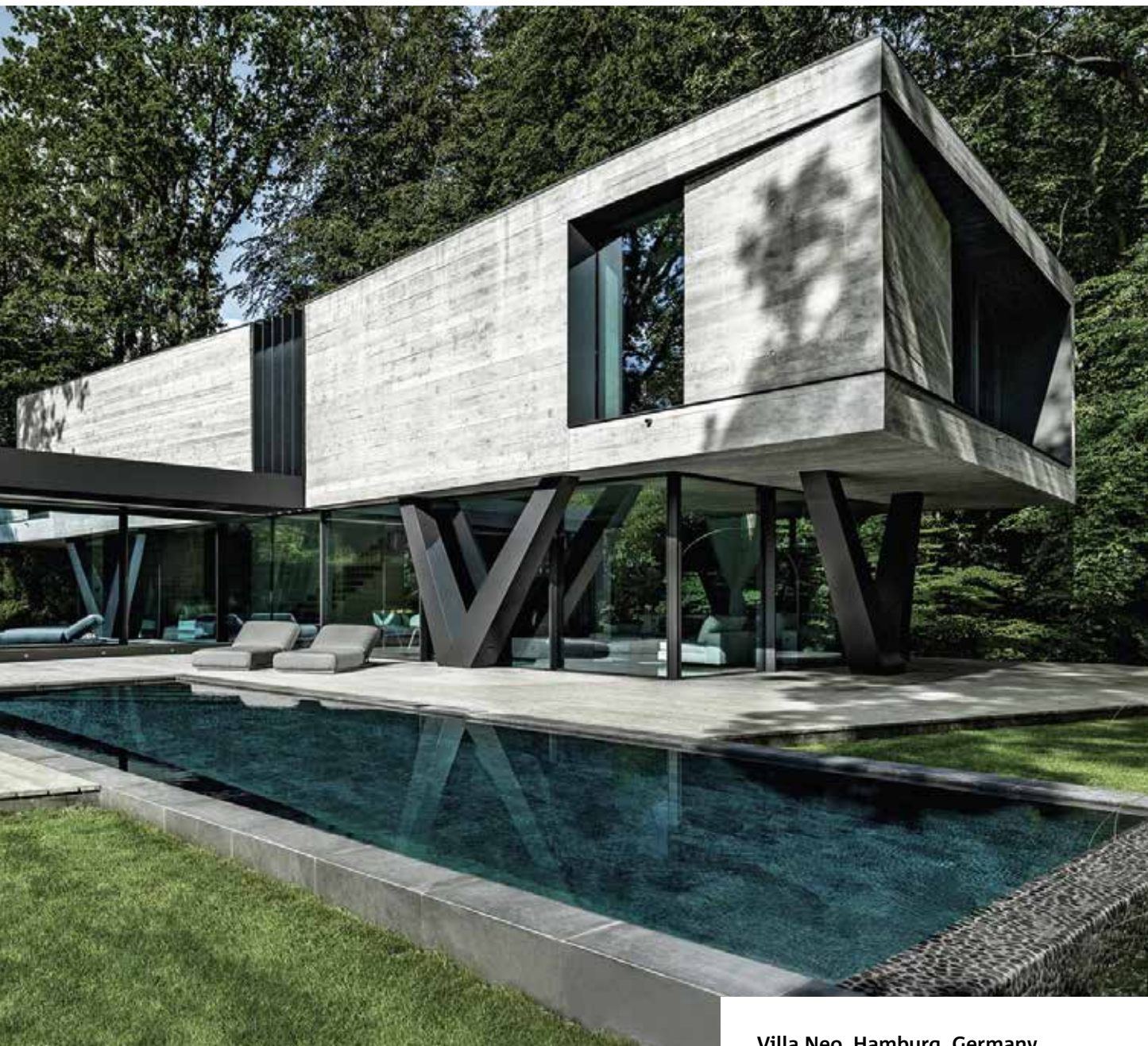


Plan: Henning Larsen Architect / KeurK architecture



Photo by: Jonathan Alexandre Lille





Villa Neo, Hamburg, Germany

This sculptural, puristic modern building made of in-situ concrete is located in the middle of a wooded site in Hamburg. The Schöck Isolink® was used to ensure the construction would last a long time and could withstand the emerging effects. This ensured the static connection between the exterior and interior, i.e. between the facing concrete and the load-bearing shell via the thermal insulation.

Product: Schöck Isolink® for concrete façades

Photos by: Frank Löschke / LIQUID PHOTOGRAPHY





**3 Civic Plaza, Surrey,
British Columbia, Canada**

The design team of this towering building paid close attention to energy saving measures on the building envelope to minimize costs and the carbon footprint, and improve occupant comfort. The thermal bridging issue on 37 floors of the condominium balconies was solved with Schöck's structural thermal breaks.

Product: Schöck Isokorb® T



Belvedere Hilversum, Hilversum, Netherlands

René van Zuuk Architects came up with an outstanding architectural design to meet the requirements of the owner for creating more and larger apartments than a traditional building architecture would have allowed – given the surface of 450 m² at the base of the building. Schöck Isokorb® was used for the connection of the spacious wide cantilevered balconies.

Product: Schöck Isokorb® T

Photo by: Bas Gijssels | BASEPHOTOGRAPHY



**Comandante Ferraz Station,
King George Island, Antarctica**

This 3200 m², futuristic Antarctic station provides a safe work environment for technological research as well as comfortable living quarters.

The load-bearing thermal insulation element Schöck Isokorb® prevents heat dissipating from the interior steel construction via the steel columns due to adverse temperatures and strong winds.

Product: Schöck Isokorb® T

Photo by: Afaconsult/Estúdio 41



Hörnlihütte, Zermatt, Switzerland

Pioneering lodge architecture with impressive energy-efficient solutions: Using Schöck Sconnex® to reduce thermal bridges to a minimum – the optimal solution in terms of building physics for thermal separation of hot and cold construction components of the lodge.

Product: Schöck Sconnex®

Photos by: Michel Bonvin



immergrün, Berlin, Germany

Six multi-family homes were built in Berlin Pankow. Special feature: the central suspended half-spiral stair sculpture in the middle of the atrium that extends the height of the building. A specially designed and manufactured Schöck Tronsole® type B was used as an impact sound insulating element for this project in order to meet the sound insulation requirements.

Product: Schöck Tronsole®

Photo by: Moritz Bernouly



The Smithsonian's National Museum of African American History & Culture, Washington DC, United States of America

To achieve the delicate balance between energy efficiency and comfortable humidity levels and the need to protect priceless artifacts from interior condensation, rooftop penetrations through the building envelope were insulated using structural thermal breaks.

Product: Schöck Isokorb® T

RELIABLE SERVICE

We are working for you.

Each of our products are based on comprehensive know-how, which extends to all the technological details. However, we also offer much more than that: Individual and personal advice.

Effectiveness is the deciding factor. We win our customers over with expert advice and comprehensive service during the planning and implementation phase. Our experienced international team will provide you with expert support tailored to your individual needs, and also caters for special requirements or installation situations. Reliability is our top priority. This also includes punctuality: We will react flexibly to your logistical requirements and track the delivery of your shipment right to its intended destination.



CONTACT

International consulting experts.

Sales offices

Partners

Europe

Austria

Schöck Bauteile Ges.m.b.H.
Tel.: +43 1 7865760
office-at@schoeck.com

Belgium

Schöck België SRL
Tel.: +32 9 261 00 70
info-be@schoeck.com

Croatia

Nosivi Građevinski Elementi d.o.o.
Tel.: +385 1 33 78 924
info-hr@schoeck.com

Czech Republic

Schöck-Wittek s.r.o.
Tel.: +420 553 788 308
wittek@wittek.cz

Denmark

HauCon A/S
Tel.: +45 86 22 93 93
info@haucon.dk

Estonia

Enerest OÜ
Tel.: +372 5662 9580
siim@enerest.ee

Finland

HauCon Finland Oy
Tel.: +358 207 430 890
info@haucon.fi

France

Schöck France SARL
Tel.: +33 3 88 20 92 28
contact-fr@schoeck.com

Germany

Schöck Bauteile GmbH
Tel.: +49 7223 967-0
schoeck-de@schoeck.com

Hungary

Schöck Hungária Kft.
Tel.: +36 23 507272
info-hu@schoeck.com

Iceland

Verkfræðilausnir ehf
Tel.: +354 833 6310
info-is@schoeck.com

Ireland

Contech Accessories Ltd.
Tel.: +353 59 9151 350
sales@contech-accessories.ie

Italy

Schöck Italia GmbH S.r.l.
Tel.: +39 0473 055173
info-it@schoeck.com

Latvia

Mindaugas Ūmantas
Tel.: +370 618 73005
mindaugas.umantas@schoeck.com

Lithuania

Mindaugas Ūmantas
Tel.: +370 618 73005
mindaugas.umantas@schoeck.com

Luxembourg

Schöck België SRL
Tel.: +32 9 261 00 70
info-be@schoeck.com

Netherlands

Schöck Nederland b.v.
Tel.: +31 55 526 88 20
info-nl@schoeck.com

Norway

HauCon Norge AS
Tel.: +47 31 30 25 00
post@haucon.no

Poland

Schöck Sp. z o.o.
Tel.: +48 22 533 19 33
technika-pl@schoeck.com

Portugal

Monteiro & Viana, Lda - SyPro
Tel.: +351 244 836 484
geral@sypro.com.pt

Slovakia

Schöck-Wittek s.r.o.
Tel.: +420 553 788 308
wittek@wittek.cz

Slovenia

Schöck Bauteile Ges.m.b.H.
Tel.: +386 51 424 815
info-si@schoeck.com

Spain

Onhaus Global System S.L.
Tel.: +34 948 123 713
info@onhaus.es

Sweden

Schöck Bauteile GmbH
Tel.: +49 7223 967 144
export@schoeck.com

Switzerland

Schöck Bauteile AG
Tel.: +41 62 834 00 10
info-ch@schoeck.com

Ukraine

Andriy Ovcharenko
Tel.: +380 (98) 445 19 91
neoacre@gmail.com

United Kingdom

Schöck Ltd
Tel.: +44 1865 290 890
design-uk@schoeck.com

North America

Canada

Schoeck Canada Inc.
Tel.: +1 855 572 4625
info-na@schoeck.com

United States

Schöck USA, Inc.
Tel.: +1 855 572 4625
info-na@schoeck.com

Asia

China

Tel.: +86 186 1848 3676
simon.gu@schoeck.com

South Korea

Schoeck Korea
Tel.: +82 2 416 1511
jerry.lee@schoeck.com

Australia | Oceania

Australia

Laros Group Pty Ltd
Tel.: +61 261607777
office@laros.com.au

New Zealand

Laros Group Pty Ltd.
Tel.: +61 261607777
office@laros.com.au

Other countries

Schöck Bauteile GmbH

Tel.: +49 7223 967 144
export@schoeck.com

COMPREHENSIVE EXPERTISE

Dependable solutions.

Using our future-proof product solutions and systems, we fulfil all structural, physical and construction requirements of the respective application for new construction projects and existing buildings. Our main areas of focus are the reduction of thermal bridges, impact sound insulation and reinforcement technology.

Balcony, access
balcony, canopy



Wall,
column



Parapet, roof
superstructure



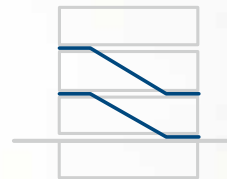
Façade



Slab



Stairs



Schöck Bauteile GmbH
Schöckstrasse 1
76534 Baden-Baden
Telephone: +49 7223 967-144
export@schoeck.com
www.schoeck.com



Subject to technical modifications.
Date of publication: November 2022